



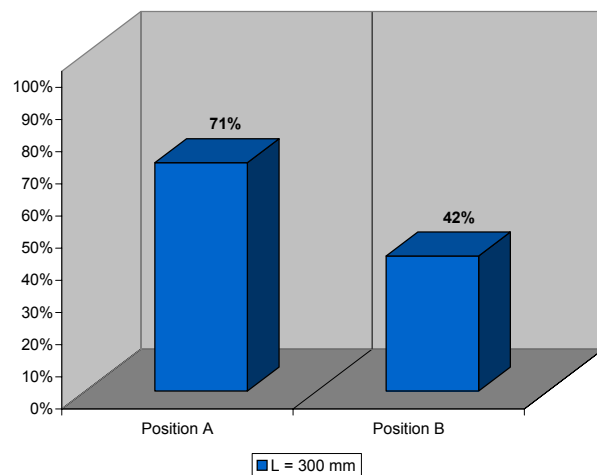
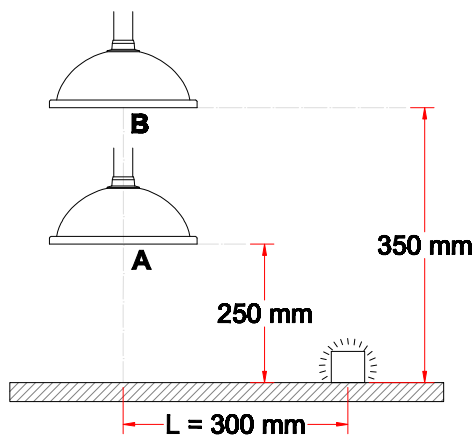
System 50 - Antistatic (AS)

- Round hood recommended for light fumes, gases and small open vessels
- Diameter of hood: Ø385 mm
- Increased stability when moving the hood due to reinforced rim of the hood
- Increased efficiency at an angled position
- Hood and flange made of conductive polypropylene (PP)
- Connection tube made of chromated TCP Aluminium to assure permanent conductivity



Capture efficiency

The relatively low suction efficiency, that the hood at the position is not optimal for this hood position and System 100 assurance have been for ends for another hood see article no 1-10050.



Drawing

