

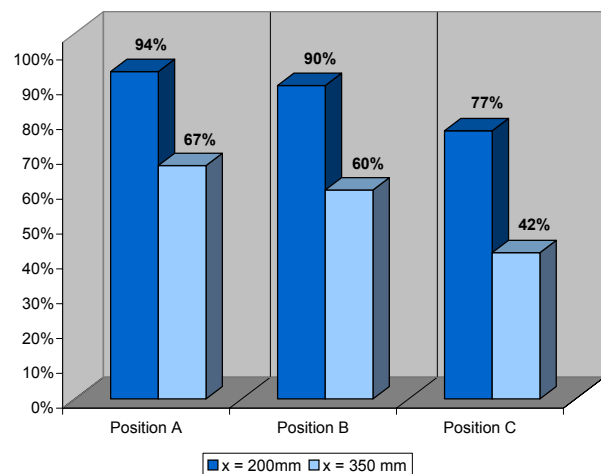
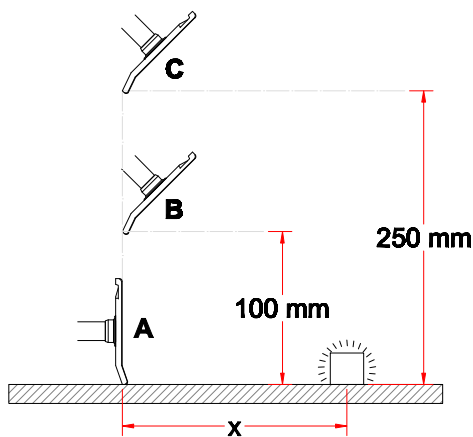


System 50 - Antistatic (AS)

- Flat screen recommended when extracting heavy gases and fumes
- Dimension of the hood: 330x240 mm
- Increased efficiency when placed vertically on a surface
- Hood and flange made of conductive polypropylene (PP)
- Connection tube made of chromated TCP Aluminium to assure permanent conductivity
- Gets close to the source without obstructing the work process



Capture efficiency



Drawing

