

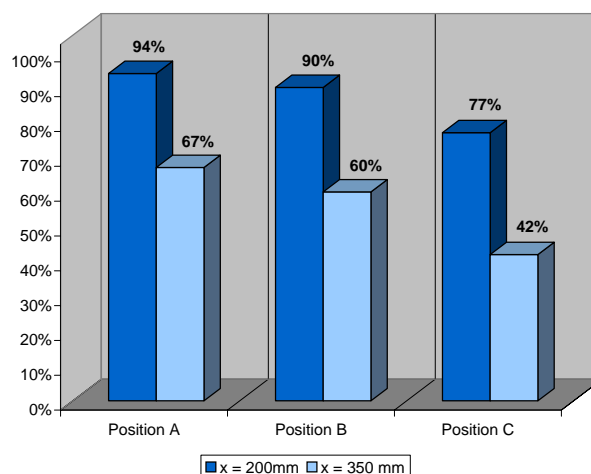
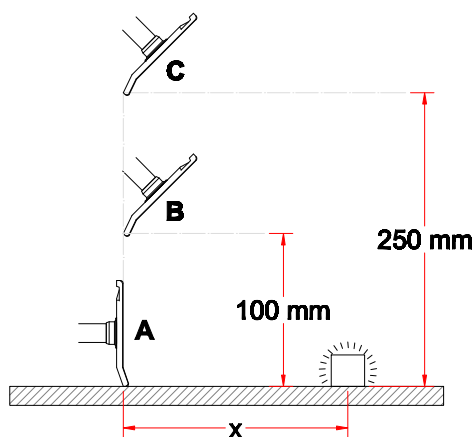


## System 50 - Aluminium (AL)

- Flat hood recommended when extracting heavy gases and fumes
- Dimension of the hood: 330x240 mm
- Increased efficiency when placed vertically on a surface
- Hood made of transparent PETG, resistant to solvents
- Connection tube made of anodized aluminium - surface 10  $\mu$
- Gets close to the source without obstructing the work process
- Colours of flange available: white (-5), red (-4) or black (-050)



## Capture efficiency



## Drawing

