

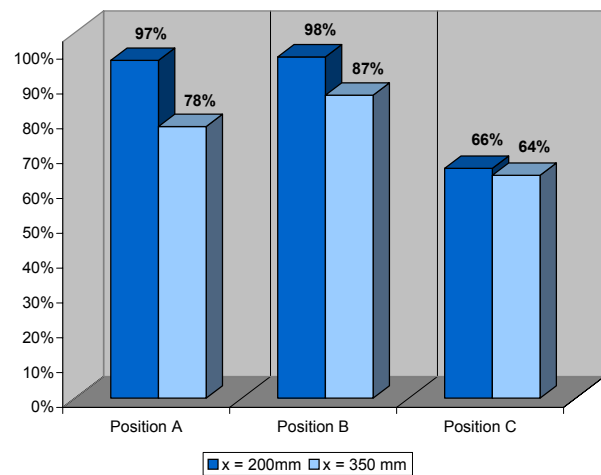
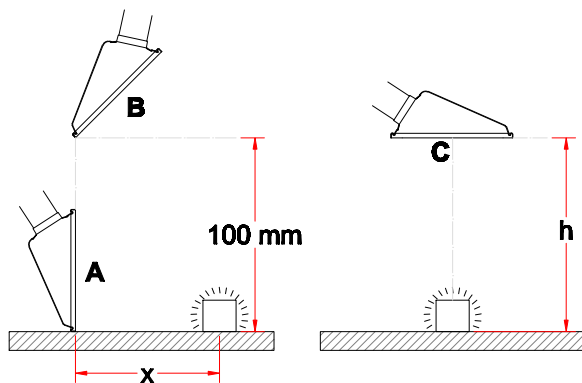


System 50 - Aluminium (AL)

- Square hood recommended when extracting light and heavy fumes and gases
- Dimension of hood: 300 x 250 mm
- Increased stability when moving the hood due to reinforced rim of the hood
- Increased efficiency when placed vertically on a surface
- Hood made of transparent PETG, resistant to solvents
- Connection tube made of anodized aluminium - surface 10 μ
- The transparent hood assists in keeping a good view of the work process
- Colours of flange available: white (-5), red (-4) or black (-050)



Capture efficiency



Drawing

