

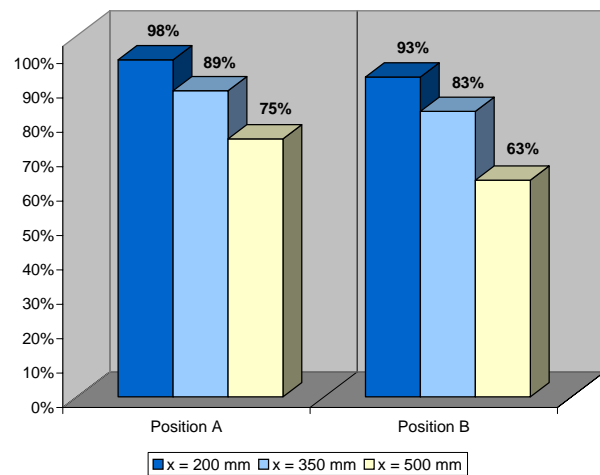
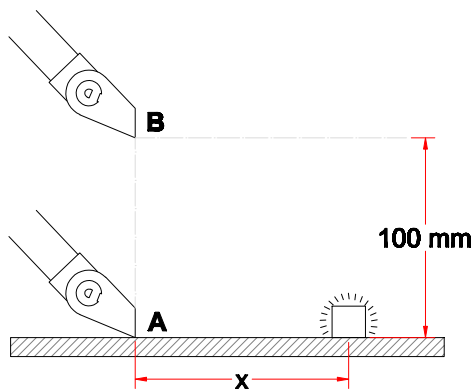


System 50 - Aluminium (AL)

- Suction nozzle recommended for small concentrated sources of pollution
- Width: 200 mm
- Tube and nozzle made of anodized aluminium - surface 10 μ - and shatterproof chemical resistant polypropylene (PP)
- Internal distribution tube in order to increase the capture efficiency
- Colours available: white (-5) or red (-4)



Capture efficiency



Drawing

