



System 75 - Chemical resistant (PP)

Extraction arms

Table mounting	75 PP 2
Wall and Ceiling mounting	75 PP 3

Hoods

Suction pen 1-7525-7	75 PP 4
Metal hood 1-7524-7	75 PP 5
Square hood 1-754232-7	75 PP 6
Round hood 1-7535-7	75 PP 7
Flat hood 1-753324-7	75 PP 8

Brackets

Table bracket 2-7510	75 PP 9
Wall bracket 2-195	75 PP 10
Ceiling columns	75 PP 11

Other accessories

Reducer 4-8075	75 PP 12
Reducer 4-10075	75 PP 13
Cover flange 4-200-200	75 PP 14
Support bracket 2-75-5	75 PP 15
Protective netting 5-17-7	75 PP 16



System 75 - Chemical resistant (PP)

All components RoHS-compatible.

Design:

- Extraction arm for mounting on table
- Working range 550 - 1620 mm
- Recommended airflow 80 to 180 m³/h
- Diameter of tube Ø75 mm
- Tubes made of chemical resistant polypropylene (PP)
- Joints made of shatterproof, chemical resistant polypropylene (PP)
- Colour of joints: white (-5) or red (-4)
- All O-rings maintenance free
- Integrated valve. When in an open position out of the flow path to maintain the maximum amount of flow
- All threaded stays, springs and thumbscrews made of acid-proof stainless steel (AISI 316L)
- All rivets made of chemical resistant polypropylene (PP) for increased durability in aggressive environments
- All hoods can be provided with a protective netting (accessory) to reduce the risk of extracting foreign objects
- Dismantling of the arm without tools for cleaning

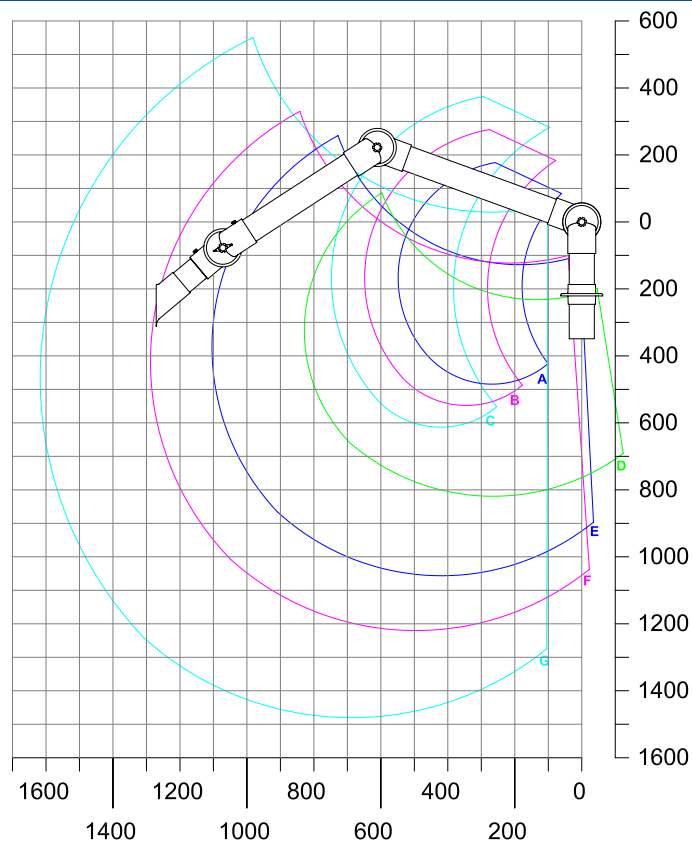


Links: [Pressure drop chart](#), [Mounting](#), [User's manual](#), [Capture efficiency](#), [Material compatibility](#)

Working area

We do not recommend a stationary working position in the upper or lower working area.

All units in mm



A: Model 75-35-1-7-5
B: Model 75-45-1-7-5
C: Model 75-55-1-7-5
D: Model 75-3535-1-7-5
E: Model 75-5545-1-7-5
F: Model 75-6555-1-7-5
G: Model 75-9065-1-7-5



System 75 - Chemical resistant (PP)

All components RoHS-compatible

Design:

- Extraction arm for mounting on wall/ceiling
- Working range 795 - 1990 mm
- Recommended airflow 80 to 180 m³/h
- Diameter of tube Ø75 mm
- Tubes made of chemical resistant polypropylene (PP)
- Joints made of shatterproof, chemical resistant polypropylene (PP)
- Colour of joints: white (-5) or red (-4)
- All O-rings maintenance free
- Integrated valve. When in an open position out of the flow path to maintain the maximum amount of flow
- All threaded stays, springs and thumbscrews made of acid-proof stainless steel (AISI 316L)
- All rivets made of chemical resistant polypropylene (PP) for increased durability in aggressive environments
- All hoods can be provided with a protective netting (accessory) to reduce the risk of extracting foreign objects
- Dismantling of the arm without tools for cleaning



Links: [Pressure drop chart](#), [Mounting without gas spring](#), [Mounting with gas springs](#), [User's manual](#), [Capture efficiency](#), [Material compatibility](#)

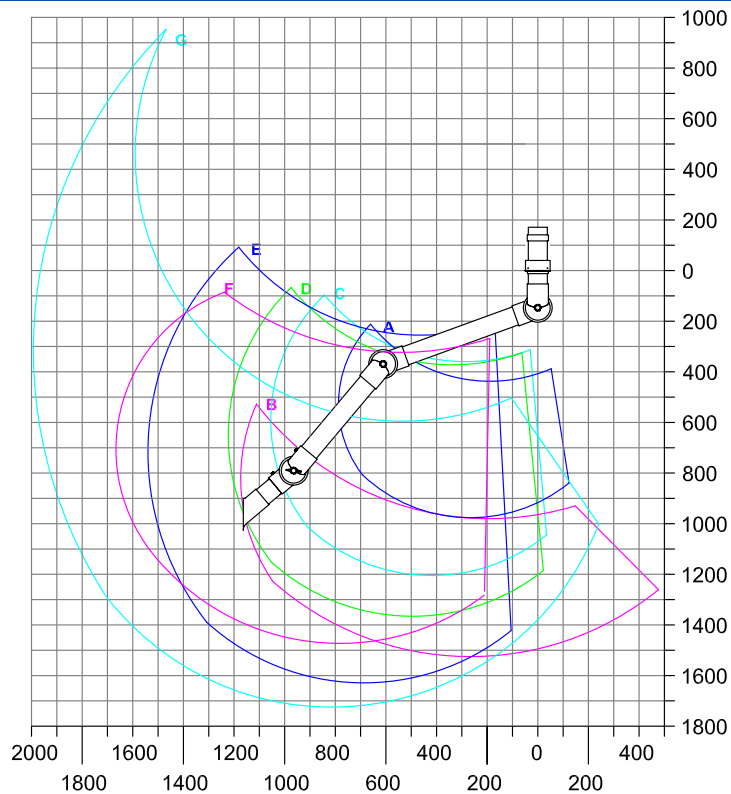
Working area

We do not recommend a stationary working position in the upper or lower working area.

All units in mm

* With 1 gas spring

** With 2 gas springs



A: Model 75-3535-3-7-5
 B: Model 75-3590-3-7-5
 C: Model 75-5545-3-7-5
 D: Model 75-6555-3-7-5
 E: Model 75-9065-3-7-5
 F: Model 75-9065-3-22-7-5*
 G: Model 75-9090-3-22-7-5**

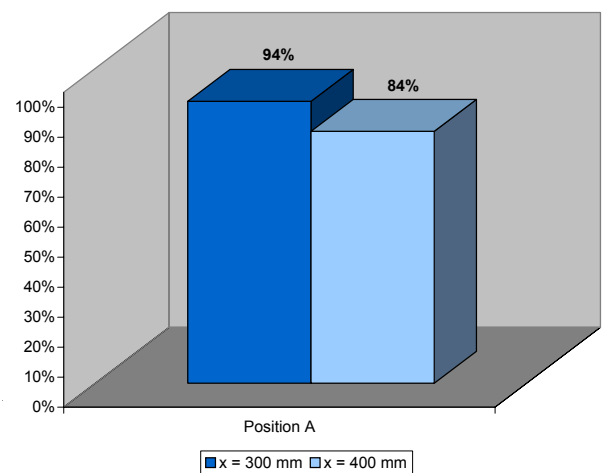
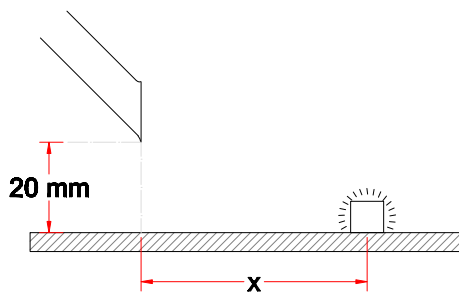


System 75 - Chemical resistant (PP)

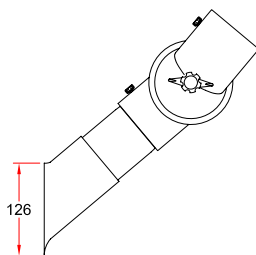
- Suction pen recommended for small concentrated sources of pollution
- High efficiency as the suction pen gets close to the source without obstructing the work process
- Tube and tip made of chemical resistant polypropylene (PP)
- With funnel in order to increase the capture efficiency
- Length: 250 mm
- Tip colour : white (-5) or red (-4)



Capture efficiency



Drawing





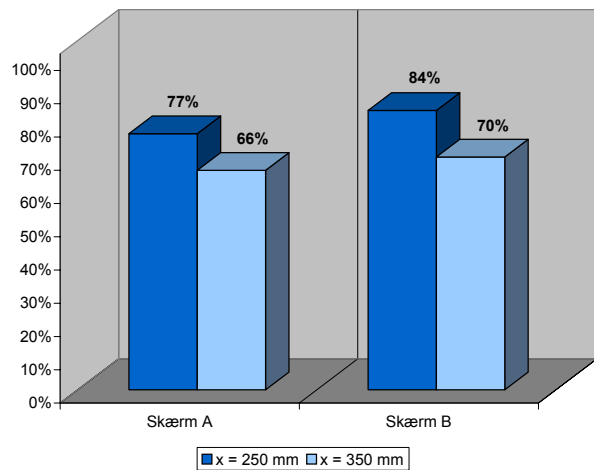
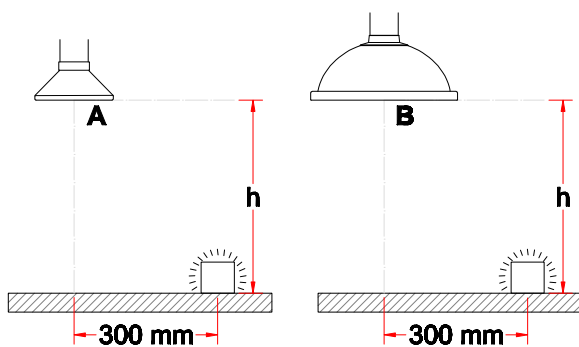
System 75 - Chemical resistant (PP)

- Metal hood recommended for light dust, fumes, gases and over open vessels
- Diameter of hood: Ø200 mm
- Hood made of polyester powder-coated aluminium
- Connection tube and flange made of chemical resistant polypropylene (PP)
- Colour of flange and hood: white (-5) or red (-4)

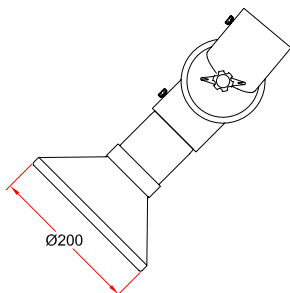


Capture efficiency

The relatively low efficiency indicates, that the illustrated position is not optimal for this hood. For system 100 other measurements have been made for a similar round hood - see article no. [1-10024](#).



Drawing



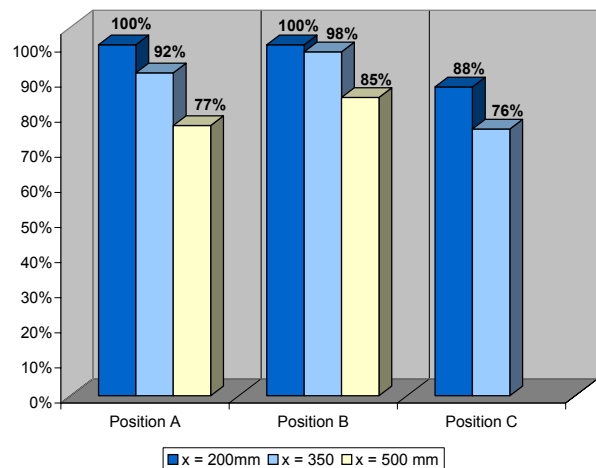
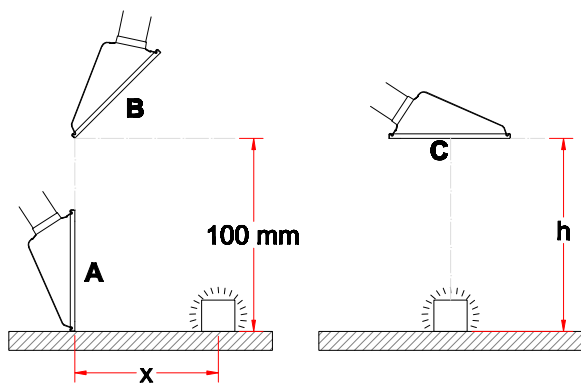


System 75 - Chemical resistant (PP)

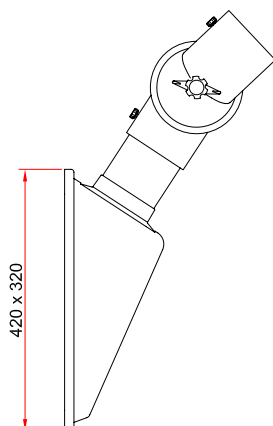
- Square hood recommended for light and heavy fumes and gases
- Dimension of the hood: 420x320 mm
- Increased stability when moving the hood due to reinforced rim of the hood
- Increased efficiency when placed vertically on a surface
- Hood, flange and connecting tube made of chemical resistant polypropylene (PP)
- Colours of flange: white (-5) or (-4)



Capture efficiency



Drawing





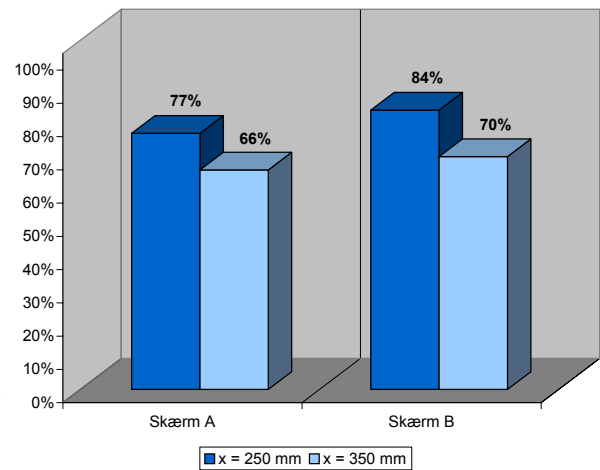
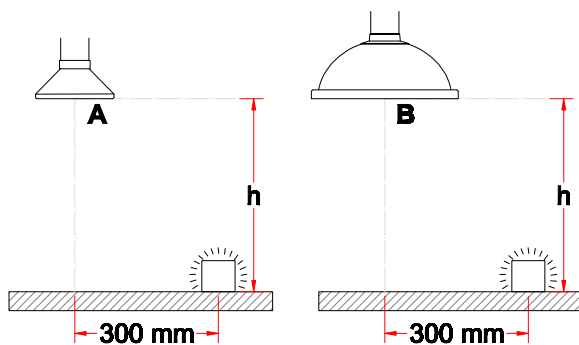
System 75 - Chemical resistant (PP)

- Round hood recommended for light fumes, gases and over small open vessels
- Diameter of hood: Ø385 mm
- Increased stability when moving the hood due to reinforced rim of the hood
- Increased efficiency at an angled position
- Hood, flange and connection tube made of chemical resistant polypropylene (PP)
- Colours of flange: white (-5) or red (-4)

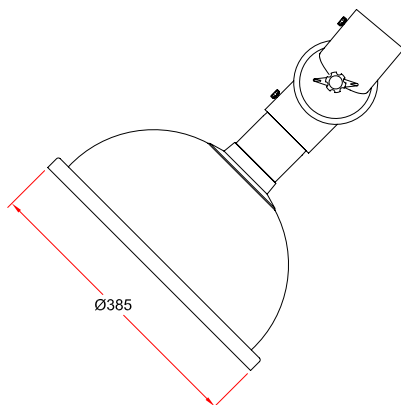


Capture efficiency

The relatively low efficiency indicates, that the illustrated position is not optimal for this hood. For system 100 other measurements have been made for a similar round hood - see article no. [1-10050](#).



Drawing



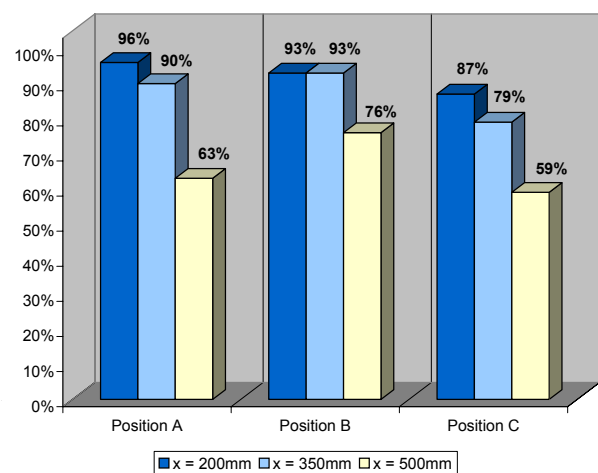
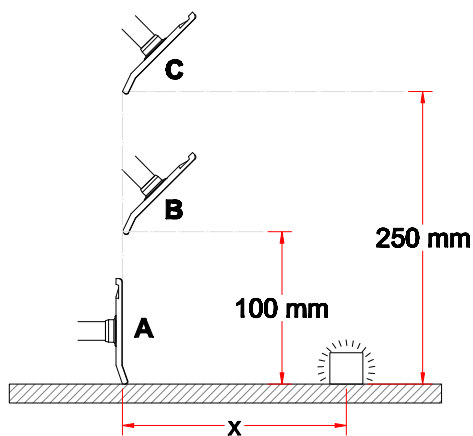


System 75 - Chemical resistant (PP)

- Flat hood recommended when extracting heavy gases and fumes
- Dimension of the hood: 330x240 mm
- Increased efficiency when placed vertically on a surface
- Hood, flange and connection tube made of chemical resistant polypropylene (PP)
- Colour of flange: white (-5) or red (-4)



Capture efficiency



Drawing

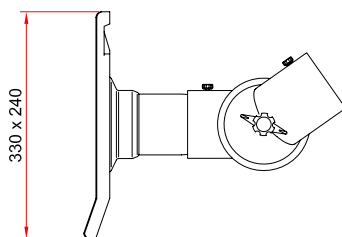


Table bracket 2-7510

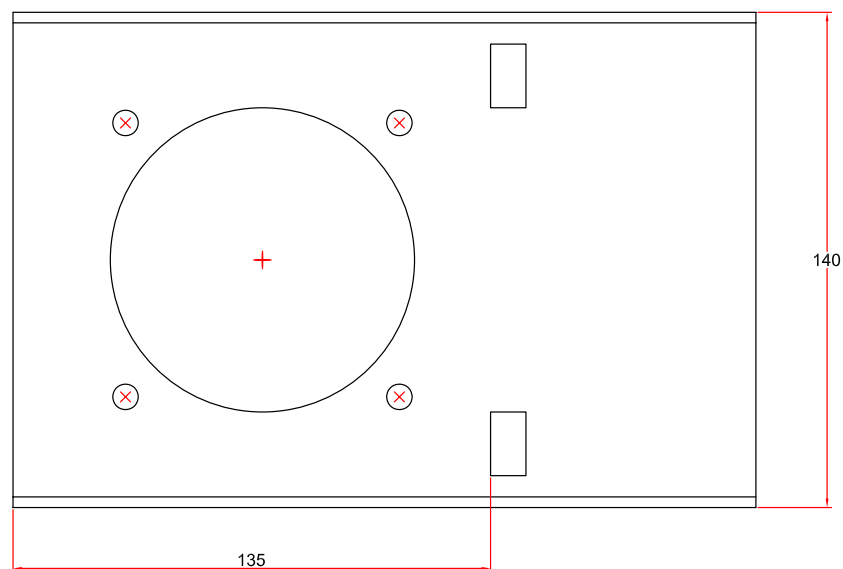
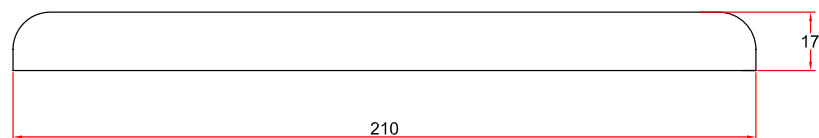


System 75 - Chemical resistant (PP)

- Table bracket to mount extraction arms for table mounting at the edge of the table
- Easily removable without tools for mobile installations
- Made of steel with a polyester powder-coating on all surfaces
- Colours: white (-) or black (-050)



Drawing





System 75 - Chemical resistant (PP)

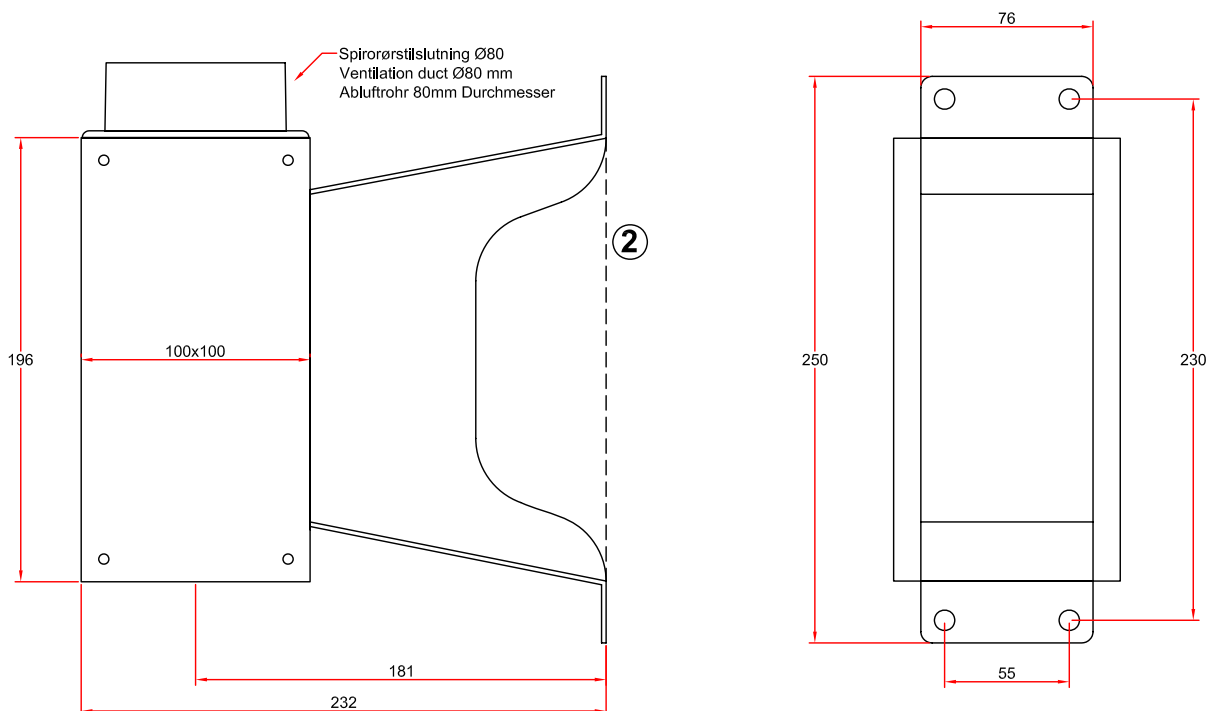
- Bracket to mount extraction arms for wall mounting to the wall
- Made of steel with a polyester powder-coating on all surfaces
- Connection to ventilation duct:
 - Direct connection with a duct Ø80 mm
 - Connection with reducer 4-10075 to Ø100 duct
 - Connection with our Ø75 aluminium pipe in the length needed, when a stylish installation is required

- Colours available: white (-) or black (-050)



- ② Also available with closed sides for areas with special requirements of cleaning.
Article no. 2-195-10-5

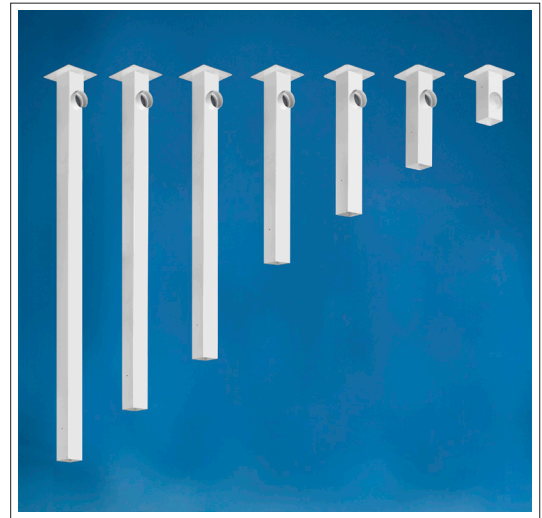
Drawing



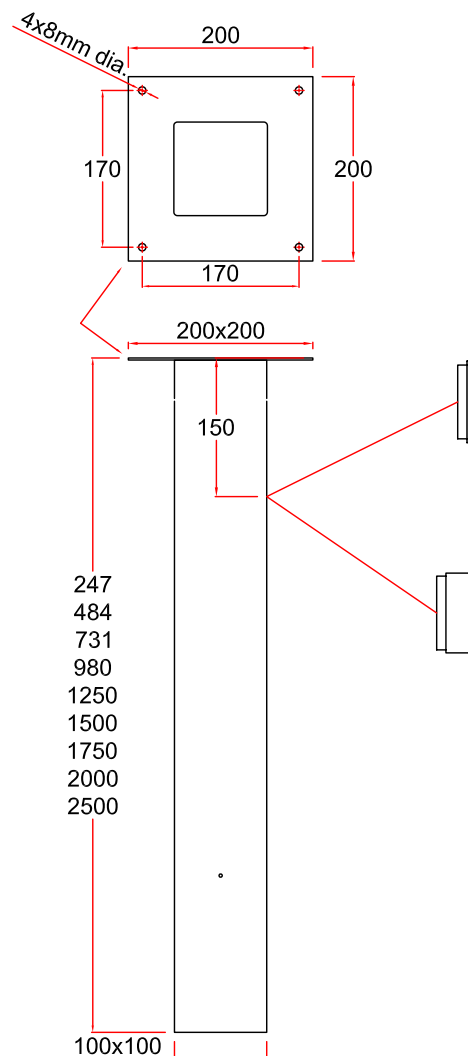


System 75 - Chemical resistant (PP)

- Ceiling columns to mount extraction arms for ceiling mounting to the ceiling
- Strong construction made of steel
- Increased durability due to polyester powder-coating on all surfaces
- Available with top connection (-20) or side connection Ø80 mm (-80)
- Colours available: white (-5) or black (-050)
- Dimension: 100x100 mm
- Lengths: 250 - 2500 mm



Drawing



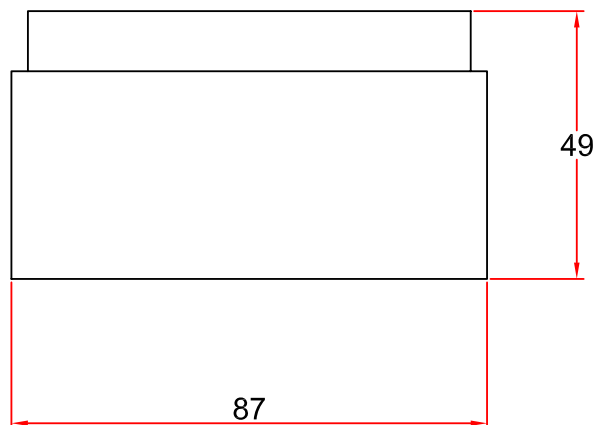


System 75 - Chemical resistant (PP)

- Reducer to connect extraction arm and ventilating duct
- Reduces from Ø80 - Ø75
- Made of polypropylene (PP)
- Colour: white (-)



Drawing



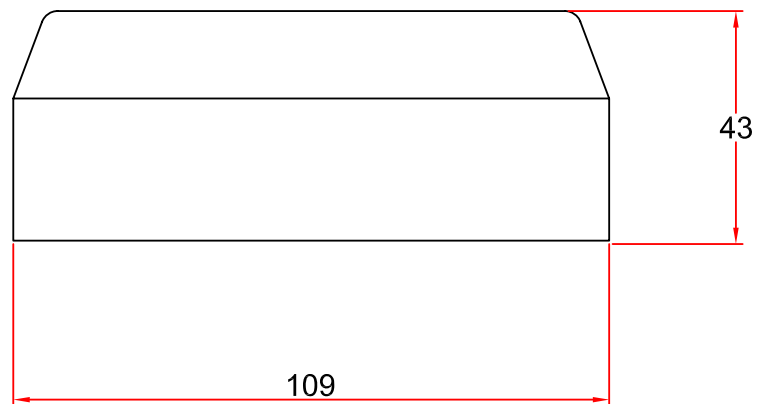


System 75 - Chemical resistant (PP)

- Reducer to connect extraction arm and ventilating duct
- Can be used to connect wall bracket to ventilating duct Ø100 mm
- Reduces from Ø100 - Ø75
- Made of polypropylene (PP)
- Colour: white



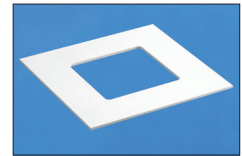
Drawing





System 75 - Chemical resistant (PP)

- Cover flange to mount on false ceiling. Hides the carrying of the ceiling column through the false ceiling
- Dimensions: 200 x 200 mm
- Material: polystyrene
- Fasten with glue or small screws
- Colour: white



Drawing

For this product there is no drawing

Support bracket 2-75-5

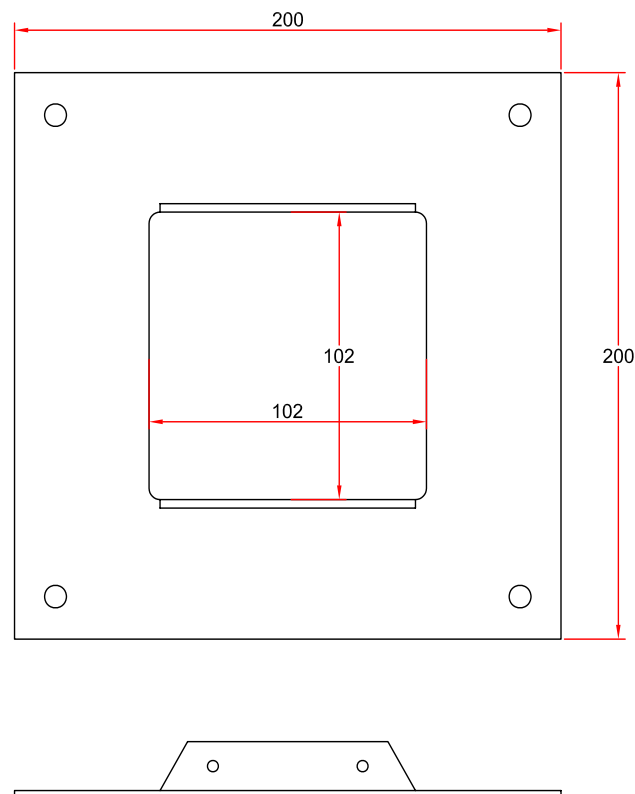


System 75 - Chemical resistant (PP)

- For extra support of long ceiling columns when mounted to ceiling racks or with wires to the deck
- Made of steel with a polyester powder-coating on all surfaces
- Dimensions: 200 x 200 mm
- Colour: white



Drawing





System 75 - Chemical resistant (PP)

- Protective netting to be placed in the hood
- Protects against extraction of foreign objects
- Polypropylene (PP)
- Colour: white



Drawing

