



System 63 - Chemical resistant (PP)

Extraction arms

Table mounting	63 PP 2
Wall and ceiling mounting	63 PP 3

Hoods

Suction pen 1-6325-7-5	63 PP 4
Round hood 1-6328-5	63 PP 5
Square hood 1-632422-5	63 PP 6
Round hood 1-6335-5	63 PP 7
Round hood 1-6335-7-5	63 PP 8
Flat hood 1-633324-5	63 PP 9
Flat hood 1-633324-7-5	63 PP 10

Brackets

Table bracket 2-6310	63 PP 11
Wall bracket 2-195	63 PP 12
Ceiling columns	63 PP 13

Accessories

Reducer 4-8063-5	63 PP 14
Reducer 4-10063-5	63 PP 15
Reducer 4-10075	63 PP 16
Cover flange 4-200-200	63 PP 17
Support bracket 2-75-5	63 PP 18



System 63 - Chemical resistant (PP)

All components RoHS-compatible.

Design - extraction arm for mounting on table:

- Working range 530 - 1080 mm
- Recommended airflow 60 to 120 m³/h
- Diameter of tube Ø63 mm
- Joints with one-hand-operation
- Tubes made of chemical resistant polypropylene (PP)
- Joints made of shatterproof, chemical resistant polypropylene (PP)
- Colour of joints: white
- All O-rings maintenance free
- Integrated valve. When in an open position out of the flow path to maintain the maximum amount of flow
- All threaded stays, springs and thumbscrews made of acid-proof stainless steel (AISI 316L)
- All rivets made of chemical resistant polypropylene (PP) for increased durability in aggressive environments
- All hoods can be provided with a protective netting to reduce the risk of extracting foreign objects
- Dismantling of the sugearm without tools for cleaning

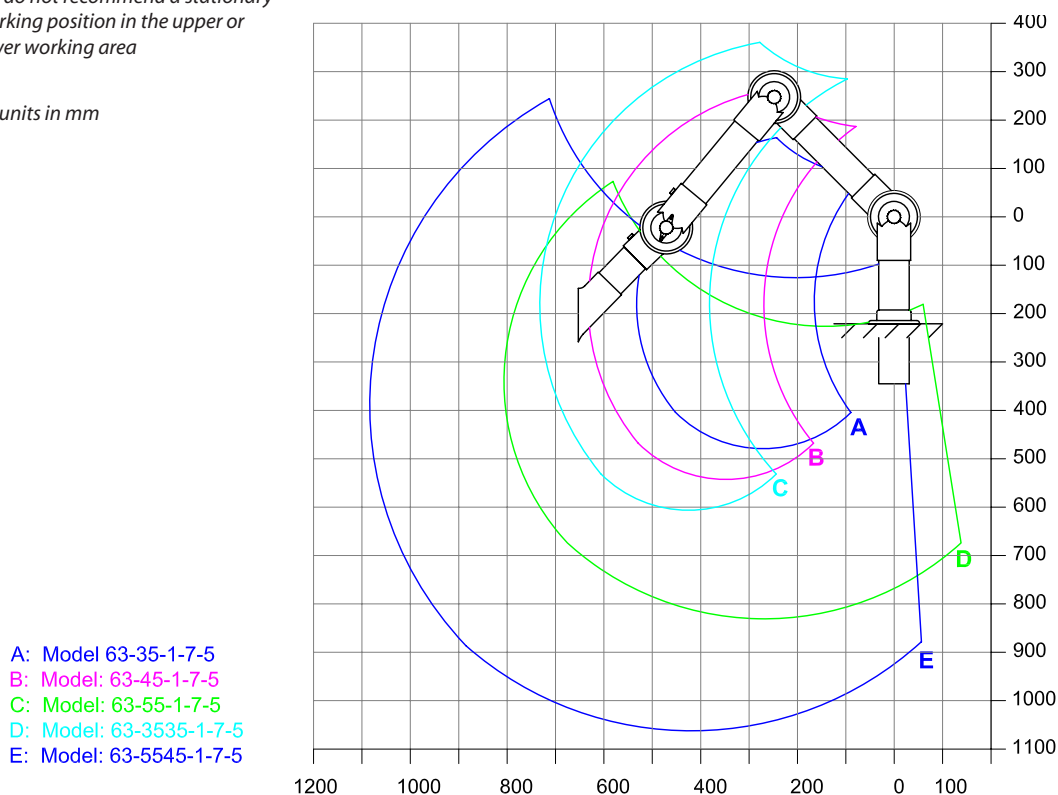


Links: [Pressure drop chart](#), [Mounting](#), [User's manual](#), [Capture efficiency](#), [Material compatibility](#)

Working area

We do not recommend a stationary working position in the upper or lower working area

All units in mm





System 63 - Chemical resistant (PP)

All components RoHS-compatible.

Design - Extraction arm for mounting on wall or ceiling:

- Working range 760 - 1500 mm
- Recommended airflow 60 to 120 m³/h
- Diameter of tube Ø63 mm
- Joints with one-hand-operation
- Tubes made of chemical resistant polypropylene (PP)
- Joints made of shatterproof, chemical resistant polypropylene (PP)
- Colour of joints, white
- All O-rings maintenance free
- Integrated valve. When in an open position out of the flow path to maintain the maximum amount of flow
- All threaded stays, springs and thumbscrews made of acid-proof stainless steel (AISI 316L)
- All rivets made of chemical resistant polypropylene (PP) for increased durability in aggressive environments
- All hoods can be provided with a protective netting (accessory) to reduce the risk of extracting foreign objects
- Dismantling of the sugearm without tools for cleaning



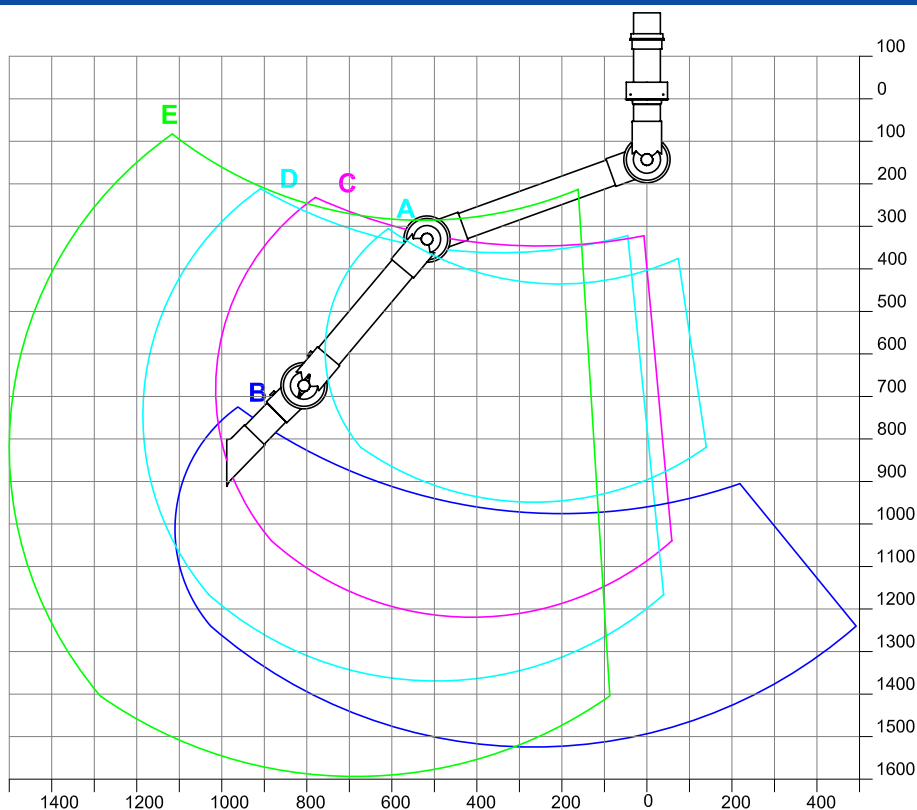
Links: [Pressure drop chart](#), [Mounting](#), [User's manual](#), [Capture efficiency](#), [Material compatibility](#)

Working area

We do not recommend a stationary working position in the upper or lower working area

All units in mm

- A: Model: 63-3535-3-7-5
- B: Model: 63-3590-3-7-5
- C: Model: 63-5545-3-7-5
- D: Model: 63-6555-3-7-5
- E: Model: 63-9065-3-7-5



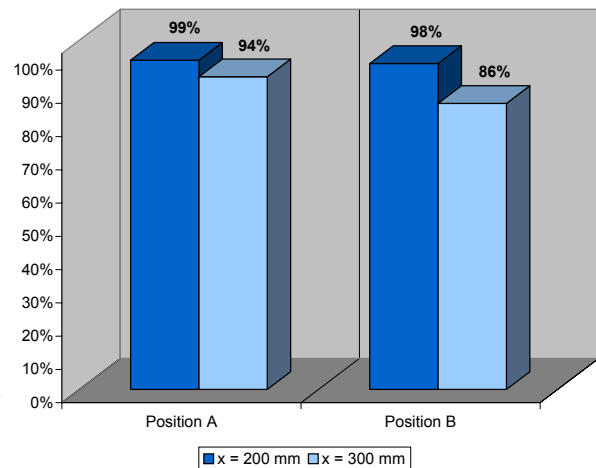
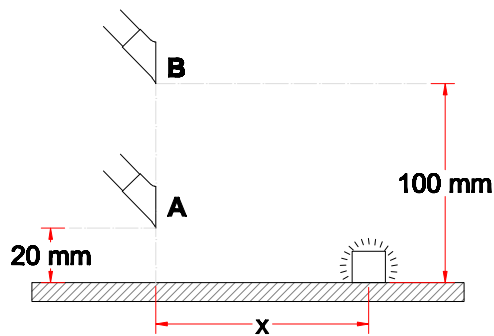


System 63 - Chemical resistant (PP)

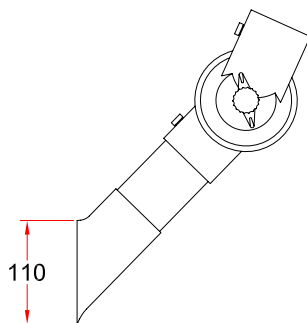
- Suction pen recommended for small concentrated sources of pollution
- High efficiency as the extractor tube gets close to the source without obstructing the work process
- Tube and tip made of chemical resistant polypropylene (PP)
- Funnel of the tube in order to increase the capture efficiency
- Length: 250 mm
- Colour: white



Capture efficiency



Drawing



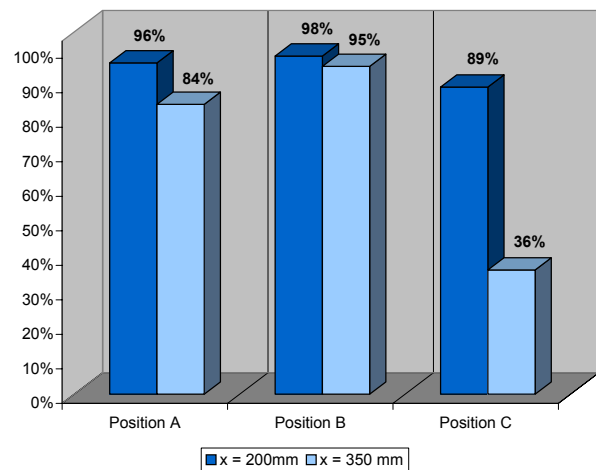
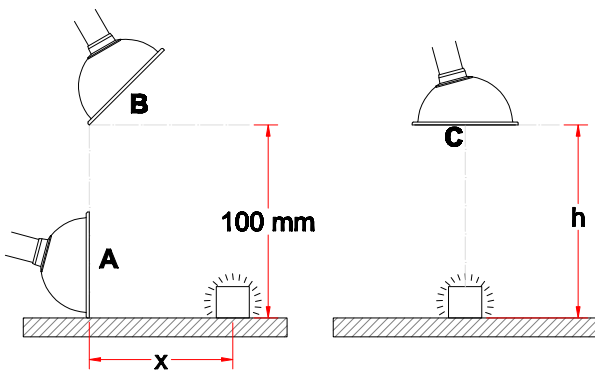


System 63 - Chemical resistant (PP)

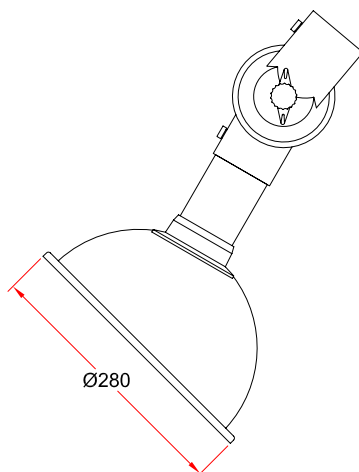
- Round hood recommended for light fumes, gases and over small open vessels
- Diameter of hood: $\varnothing 280$ mm
- Increased stability when moving the hood due to reinforced rim of the hood
- Hood made of transparent PETG, resistant to solvents
- Connection tube made of chemical resistant polypropylene (PP)
- The transparent hood assists in keeping a good view of the workpiece



Capture efficiency



Drawing





System 63 - Chemical resistant (PP)

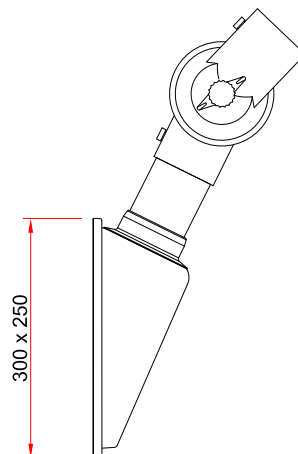
- Square hood recommended when extracting light and heavy fumes and gases
- Dimension of the hood: 300 x 250 mm
- Increased capture efficiency when placed vertically on a surface
- Increased stability when moving the hood due to reinforced rim of the hood
- Hood made of transparent PETG, resistant to solvents
- Flange and connecting tube made of chemical resistant polypropylene (PP)
- The transparent hood assists in keeping a good view of the workpiece



Capture efficiency

Measurements for this product are comparable with article no. [1-502422](#)

Drawing





System 63 - Chemical resistant (PP)

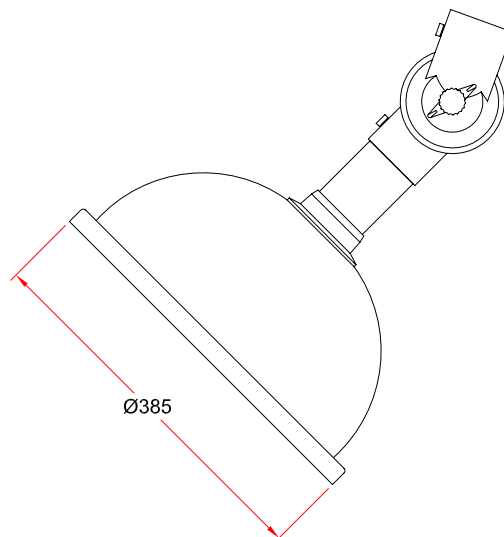
- Round hood recommended for light fumes, gases and over open vessels
- Diameter of hood: Ø385 mm
- Increased efficiency at an angled position
- Hood made of transparent PETG, resistant to solvents
- Flange and connection tube made of chemical resistant polypropylene (PP)
- The transparent hood assists in keeping a good view of the workpiece



Capture efficiency

Measurements for this product are comparable with article no. [1-10050](#)

Drawing





System 63 - Chemical resistant (PP)

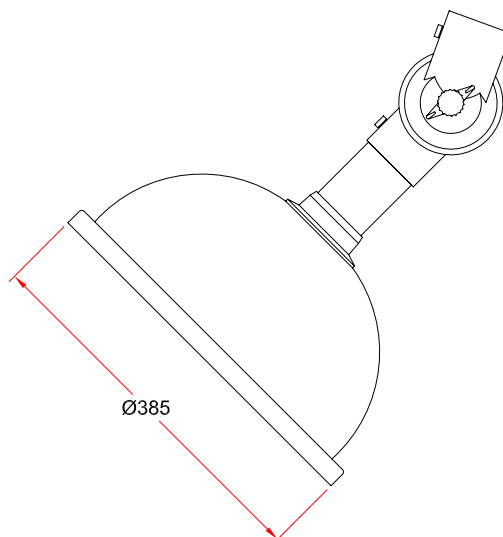
- Round hood recommended for light fumes, gases and over open vessels
- Diameter of hood: Ø385 mm
- Increased stability when moving the hood due to reinforced rim of the hood
- Hood, flange and connection tube made of chemical resistant polypropylene (PP)



Capture efficiency

Measurements for this product are comparable with article no. [1-7535](#).

Drawing



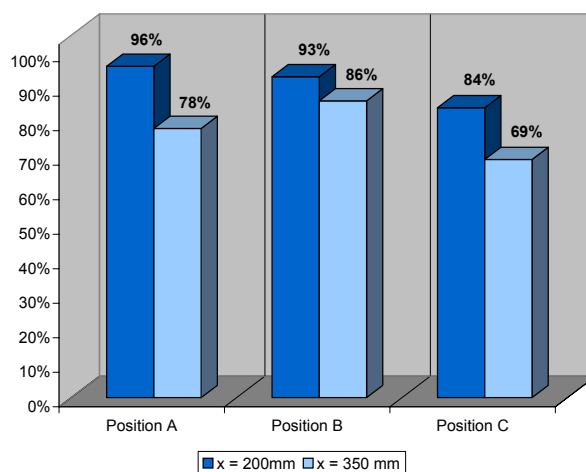
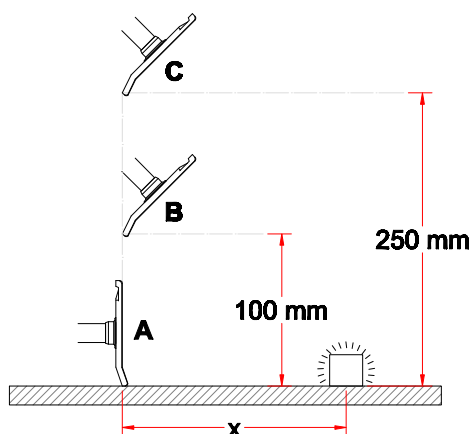


System 63 - Chemical resistant (PP)

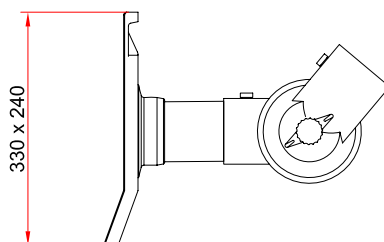
- Flat screen recommended when extracting heavy fumes and gasses
- Dimension of the hood: 330x240 mm
- Increased capture efficiency when placed vertically on a surface
- Hood made of transparent PETG resistant to solvents
- Flange and connection tube made of chemical resistant polypropylene (PP)
- Gets close to the source without obstructing the work process



Capture efficiency



Drawing



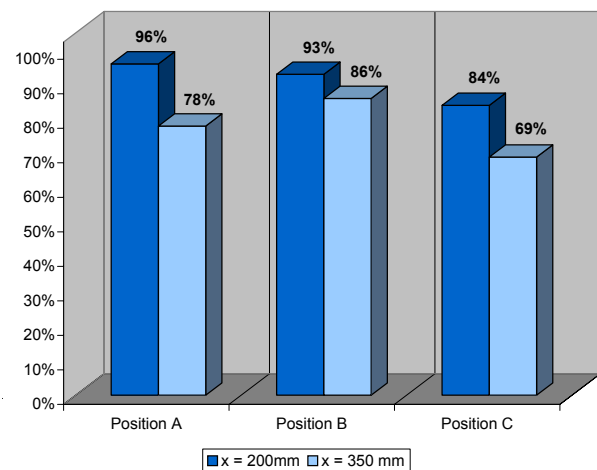
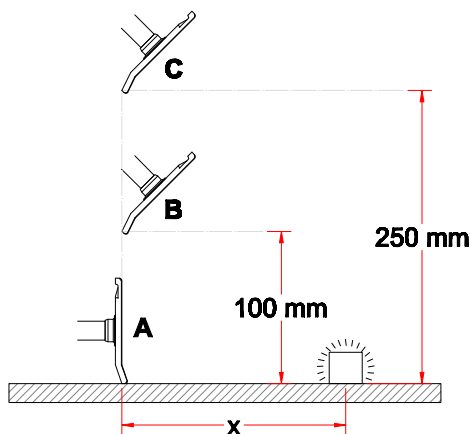


System 63 - Chemical resistant (PP)

- Flat screen recommended when extracting heavy fumes and gasses
- Dimension of the hood: 330x240 mm
- Increased capture efficiency when placed vertically on a surface
- Hood, flange and connection tube made of chemical resistant polypropylene (PP)
- Gets close to the source without obstructing the work process



Capture efficiency



Drawing

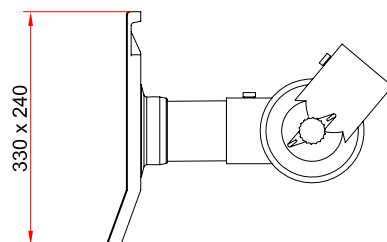


Table bracket 2-6310

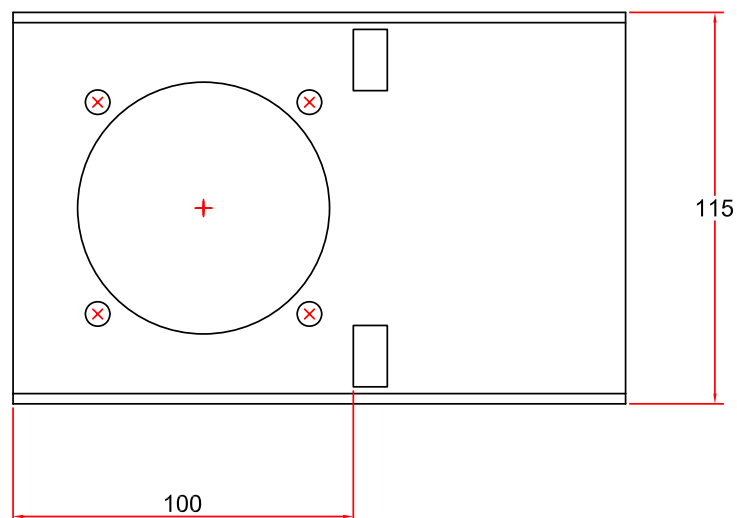
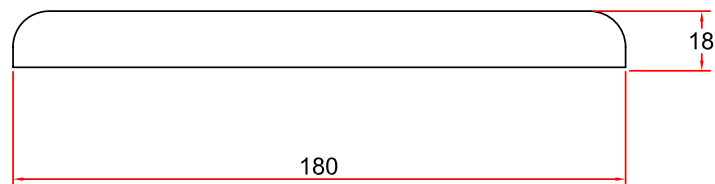


System 63 - Chemical resistant (PP)

- Table bracket to mount extraction sugearms for table mounting at the edge of the table
- Easily removable without tools for mobile installations
- Made of steel with a polyester powder-coating on all surfaces
- Colour: white



Drawing





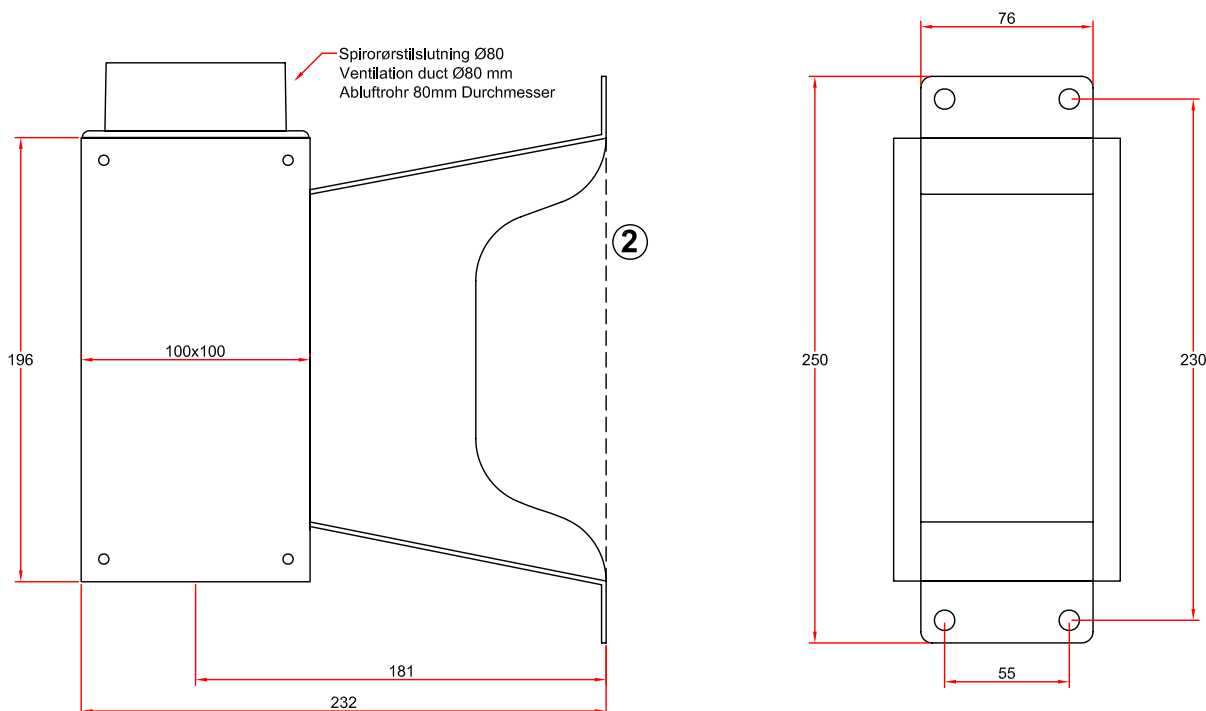
System 63 - Chemical resistant (PP)

- Bracket to mount extraction sugearms for wall mounting to the wall
- Made of steel with a polyester powder-coating on all surfaces
- Connection to ventilation duct:
 - Direct connection with a duct Ø80 mm
 - Connection with reducer 4-10075 to Ø100 duct
 - Connection with our Ø75 aluminium pipe in the length needed, when a stylish installation is required
- Colours available: white (-) or black (-050)



- ② Also available with closed sides for areas with special requirements of cleaning.
Article no. 2-195-10-5

Drawing



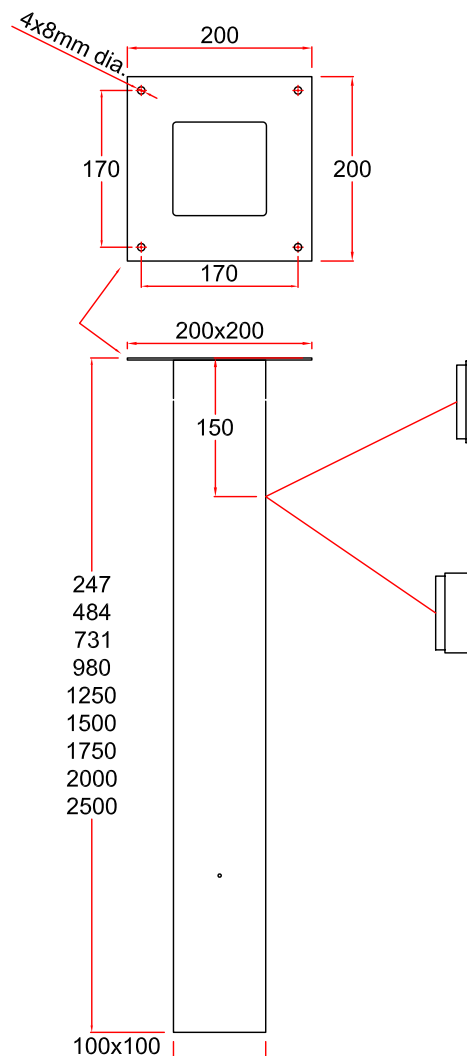


System 63 - Chemical resistant (PP)

- Ceiling columns to mount extraction sugearms for ceiling mounting to the ceiling
- Strong construction made of steel
- Increased durability due to polyester powder-coating on all surfaces
- Available with top connection (-20) or side connection Ø80 mm (-80)
- Colours available: white
- Dimension: 100x100 mm
- Lengths: 250 - 2500 mm



Drawing



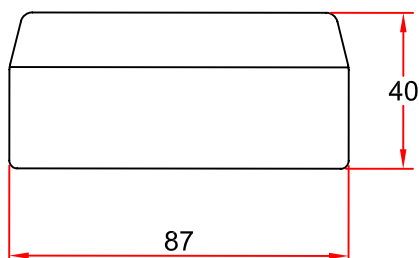


System 63 - Chemical resistant (PP)

- Reducer to connect extraction sugearm for table mounting and ventilating duct
- Reduces from Ø80 - Ø63
- Made of polypropylene (PP)
- Colour: white



Drawing



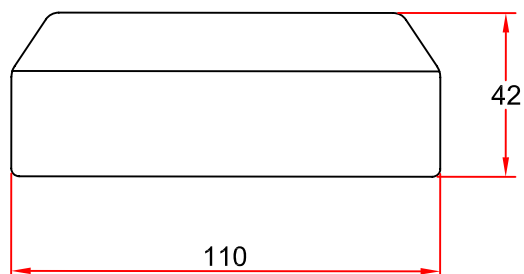


System 63 - Chemical resistant (PP)

- Reducer to connect extraction sugearm for table mounting and ventilating duct
- Reduces from Ø100 - Ø63
- Made of polypropylene (PP)
- Colour: white



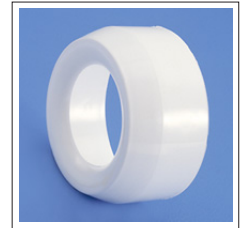
Drawing



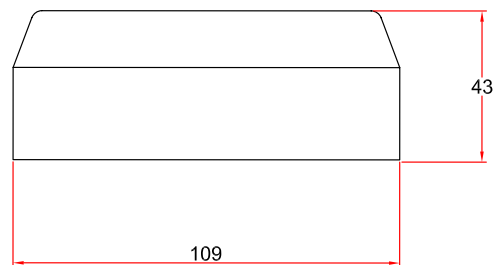


System 63 - Chemical resistant (PP)

- Reducer to connect wall bracket to ventilating duct Ø100 mm
- Reduces Ø100 - Ø75
- Made of polypropylene (PP)
- Colour: white



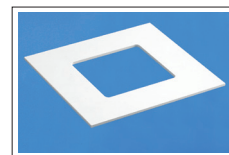
Drawing





System 63 - Chemical resistant (PP)

- Cover flange to mount on false ceiling. Hides the carrying of the ceiling column through the false ceiling
- Dimensions: 200 x 200 mm
- Material: polystyrene
- Fasten with glue or small screws
- Colour: white



Drawing

For this product there is no drawing



System 63 - Chemical resistant (PP)

- For extra support of long ceiling columns when mounted to ceiling racks or with wires to the deck
- Made of steel with a polyester powder-coating on all surfaces
- Colour: white
- Dimensions: 200 x 200 mm



Drawing

