



System 50 Flex - Antistatic (Flex AS)

Extraction arms

Table mounting 50-1-23-6	Flex AS 2
Table mounting 50-21-1-23-6	Flex AS 3
Table mounting 50-3721-1-23-6	Flex AS 4

Brackets

Table bracket 2-5010-050	Flex AS 5
U-profile 30-50-5	Flex AS 6

Accessories

Reducer 4-6350-6	Flex AS 7
Reducer 4-8050-6	Flex AS 8



System 50 Flex - Antistatic (Flex AS)

All components RoHS-compatible.

Design - Extraction arm for mounting on table:

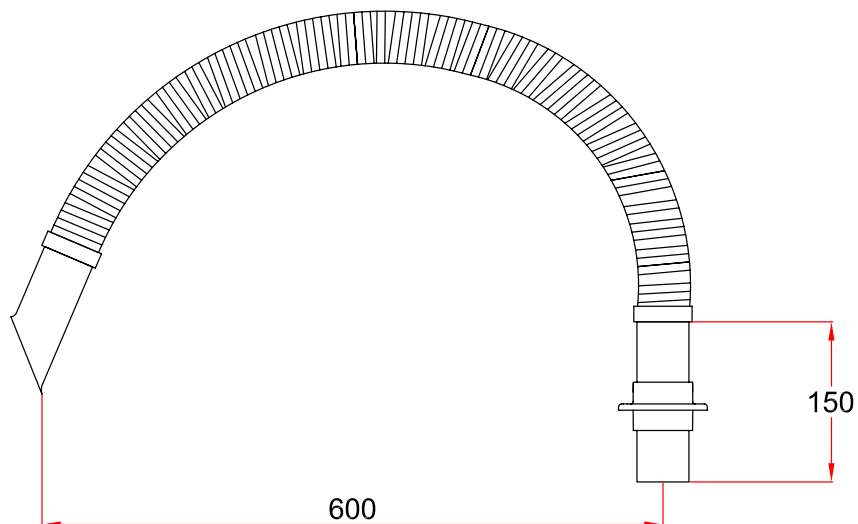
- Working range 600 mm
- Recommended airflow 45 to 85 m³/h
- Diameter of tube: Ø50 mm
- Tubes and extractor tube made of chromated (TCP) Aluminium - surface 10 µ - in combination with a conductive flexible hose to assure permanent conductivity
- Increased options of positioning due to the flexible hose
- With funnel of the extractor tube in order to increase the capture efficiency
- Approved for ESD-areas according to IEC 61340-5-1:2016
- The extraction arms are equipped with an earth wire with a resistance of 1MΩ



Links: [Pressure drop chart](#), [Mounting](#), [User's manual](#), [Capture efficiency](#), [Test reports](#) [Suction pen](#)

Working area

Units in mm





System 50 Flex - Antistatic (Flex AS)

All components RoHS-compatible.

Design - extraction arm for mounting on table:

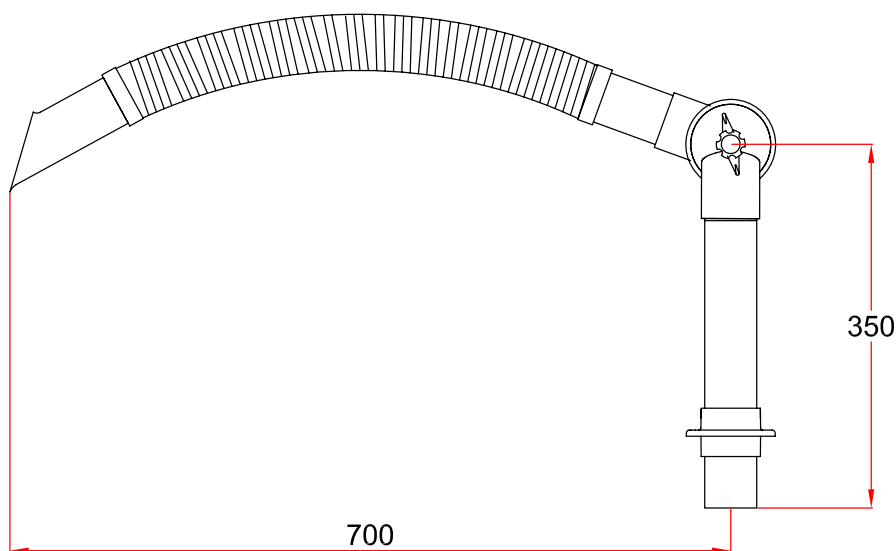
- Working range 700 mm
- Recommended airflow 45 to 85 m³/h
- Diameter of tube: Ø50 mm
- Tubes and extractor tube made of chromated (TCP) Aluminium - surface 10 µ - in combination with a conductive flexible hose to assure permanent conductivity
- Increased options of positioning due to the flexible hose
- Joints made of shatterproof and conductive polypropylene (PP)
- With funnel of the extractor tube in order to increase the capture efficiency
- All O-rings maintenance free
- Integrated valve. When in an open position out of the flow path to maintain the maximum amount of flow
- All threaded stays, springs and thumbscrews made of acid-proof stainless steel (AISI 316L)
- Approved for ESD-areas according to IEC 61340-5-1:2016
- The extraction arms are equipped with an earth wire with a resistance of 1MΩ
- Dismantling of the arm without tools for cleaning



Links: [Pressure drop chart](#), [Mounting](#), [User's manual](#), [Capture efficiency](#), [Test reports](#) [Suction pen](#)

Working area

Units in mm





System 50 Flex - Antistatic (Flex AS)

All components RoHS-compatible.

Design - extraction arm for mounting on table:

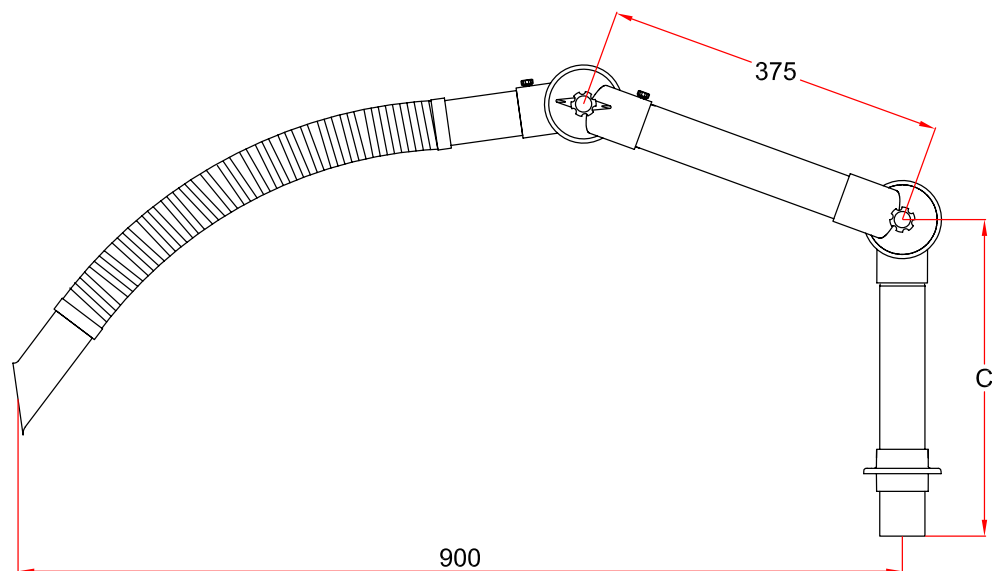
- Working range 900 mm
- Recommended airflow 45 to 85 m³/h
- Diameter of tube: Ø50 mm
- Tubes and extractor tube made of chromated (TCP) Aluminium - surface 10 µ - in combination with a conductive flexible hose to assure permanent conductivity
- Increased options of positioning due to the flexible hose
- Joints made of conductive shatterproof, chemical resistant polypropylene (PP)
- With funnel of the extractor tube in order to increase the capture efficiency
- All O-rings maintenance free
- Integrated valve. When in an open position out of the flow path to maintain the maximum amount of flow
- All threaded stays, springs and thumbscrews made of acid-proof stainless steel (AISI 316L)
- Approved for ESD-areas according to IEC 61340-5-1:2016
- The extraction arms are equipped with an earth wire with a resistance of 1MΩ
- Dismantling of the arm without tools for cleaning



Links: [Pressure drop chart](#), [Mounting](#), [User's manual](#), [Capture efficiency](#), [Test reports](#) [Suction pen](#)

Working area

Units in mm



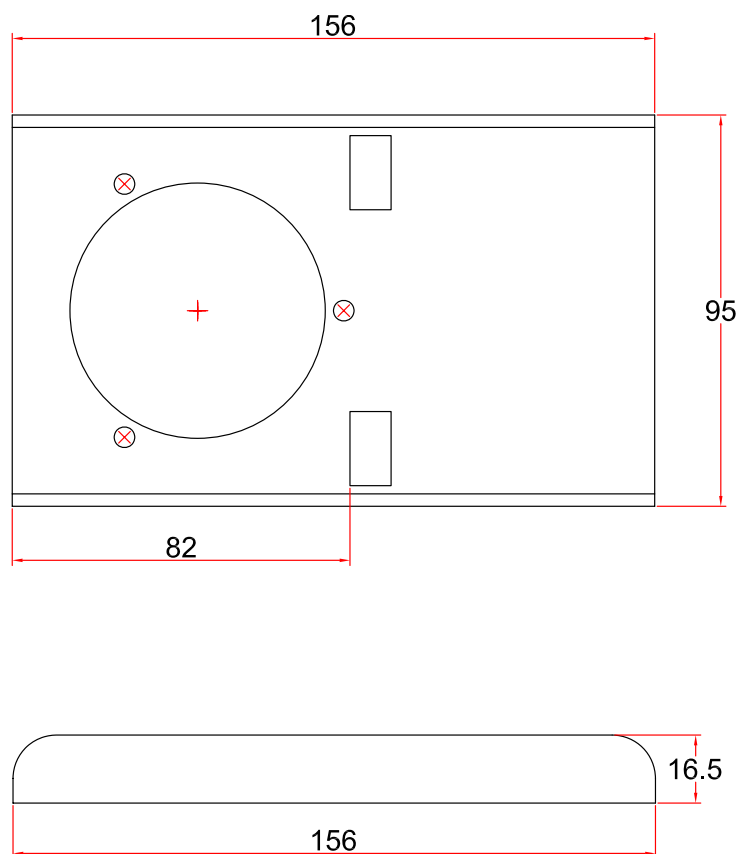


System 50 Flex - Antistatic (Flex AS)

- Table bracket to mount extraction arms for table mounting at the edge of the table
- Easily removable without tools for mobile installations
- Made of steel with a polyester powder-coating on all surfaces
- Colours available: white (-) and black (-050)



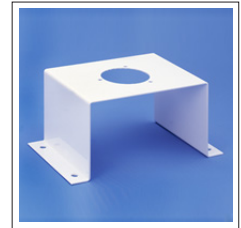
Drawing



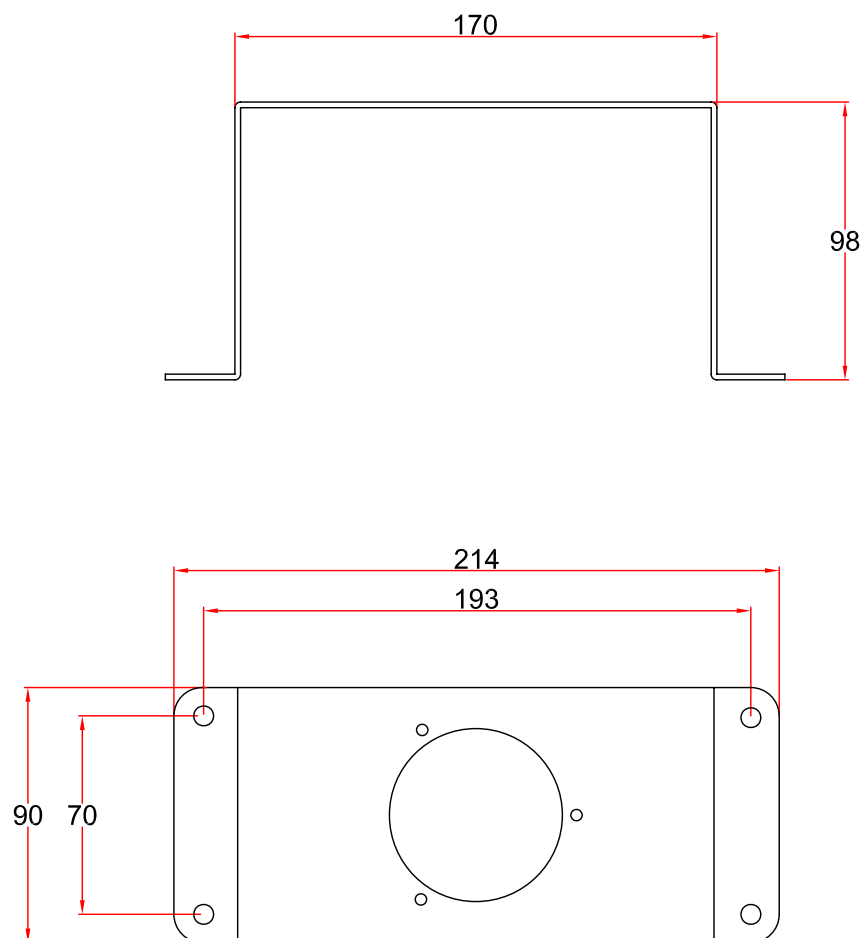


System 50 Flex - Antistatic (Flex AS)

- Bracket/U-profile to support the socket pipe of long extraction arms for table mounting
- Made of steel with a polyester powder-coating on all surfaces
- Colour: white



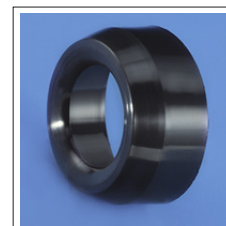
Drawing



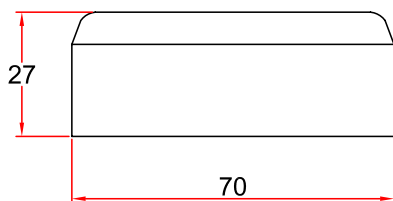


System 50 Flex - Antistatic (Flex AS)

- Reducer to connect extraction arm and ventilating duct
- Reduces from $\text{Ø}63$ - $\text{Ø}50$
- Made of conductive polypropylene (PP)
- Colour: black



Drawing





System 50 Flex - Antistatic (Flex AS)

- Reducer to connect extraction arm and ventilating duct
- Reduces from $\text{Ø}80$ - $\text{Ø}50$
- Made of conductive polypropylene (PP)
- Colour: black



Drawing

