



System 50 Flex - Aluminium (Flex AL)

Extraction arms

Table mounting 50-1-23-5	Flex AL 2
Table mounting 50-21-1-23-5	Flex AL 3
Table mounting 50-3721-1-23-5	Flex AL 4

Brackets

Table bracket 2-5010	Flex AL 5
U-profile 30-50-5	Flex AL 6

Accessories

Reducer 4-6350	Flex AL 7
Reducer 4-8050	Flex AL 8



System 50 Flex - Aluminium (Flex AL)

All components RoHS-compatible.

Design:

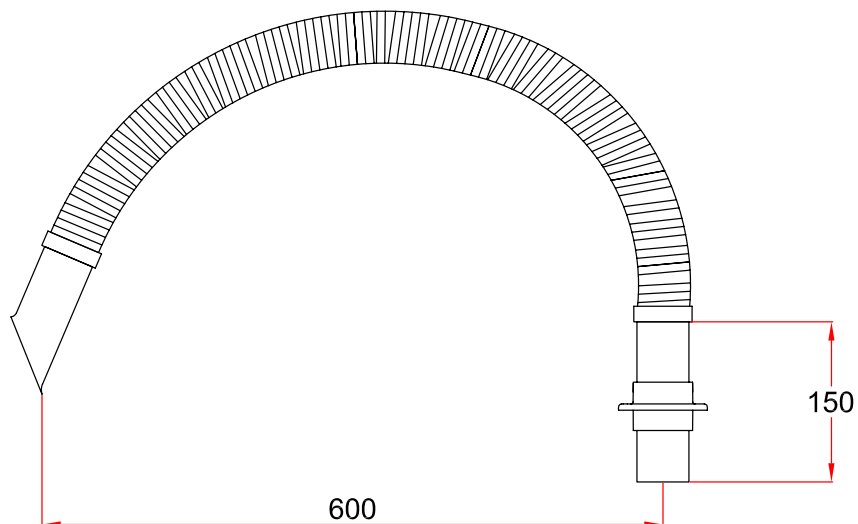
- Extraction arm for mounting on table
- Working range 600 mm
- Recommended airflow 45 to 85 m³/h
- Diameter of tube: Ø50 mm
- Tubes and extractor tube made of anodized Aluminium - surface 10 µ – in combination with a flexible hose
- Increased options of positioning due to the flexible hose
- With funnel of the extractor tube in order to increase the capture efficiency
- Acid-proof POP[®] rivets
- Colour of flange: white (-5), red (-4) or black (-050)



Links: [Pressure drop chart](#), [Mounting](#), [User's manual](#), [Suction pen](#) [Capture efficiency](#)

Working area

Units in mm





System 50 Flex - Aluminium (Flex AL)

All components RoHS-compatible.

Design:

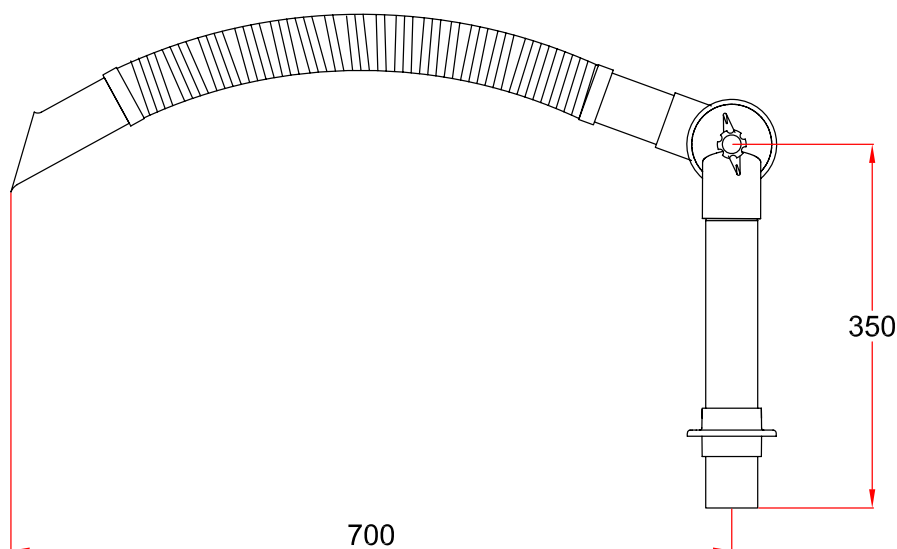
- Extraction arm for mounting on table
- Working range 700 mm
- Recommended airflow 45 to 85 m³/h
- Diameter of tube: Ø50 mm
- Tubes and extractor tube made of anodized Aluminium - surface 10 µ - in combination with a flexible hose
- Increased options of positioning due to the flexible hose
- Joints made of shatterproof, chemical resistant polypropylene (PP)
- With funnel of the extractor tube in order to increase the capture efficiency
- All O-rings conductive and maintenance free
- Integrated valve. When in an open position out of the flow path to maintain the maximum amount of flow
- All threaded stays, springs and thumbscrews made of acid-proof stainless steel (AISI 316L)
- Acid-proof POP® rivets
- Colour of joint/flange: white (-5), red (-4) or black (-050)
- Dismantling of the arm without tools for cleaning



Links: [Pressure drop chart](#), [Mounting](#), [User's manual](#), [Suction pen](#) [Capture efficiency](#)

Working area

Units in mm





System 50 Flex - Aluminium (Flex AL)

All components RoHS-compatible.

Design:

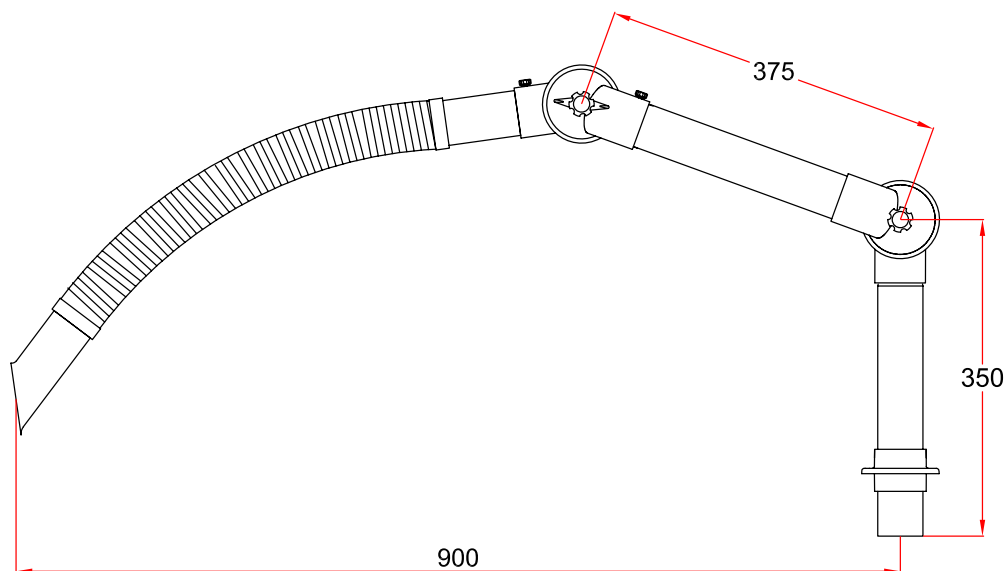
- Extraction arm for mounting on table
- Working range 900 mm
- Recommended airflow 45 to 85 m³/h
- Diameter of tube: Ø50 mm
- Tubes and extractor tube made of anodized Aluminium - surface 10 µ - in combination with a flexible hose
- Increased options of positioning due to the flexible hose
- Joints made of shatterproof, chemical resistant polypropylene (PP)
- With funnel of the extractor tube in order to increase the capture efficiency
- All O-rings maintenance free
- Integrated valve. When in an open position out of the flow path to maintain the maximum amount of flow
- All threaded stays, springs and thumbscrews made of acid-proof stainless steel (AISI 316L)
- Acid-proof POP® rivets for increased durability in aggressive environments
- Colour of joints/flange: white (-5), red (-4) or black (-050)
- Dismantling of the arm without tools for cleaning



Links: [Pressure drop chart](#), [Mounting](#), [User's manual](#), [Suction pen](#)

Working area

Units in mm



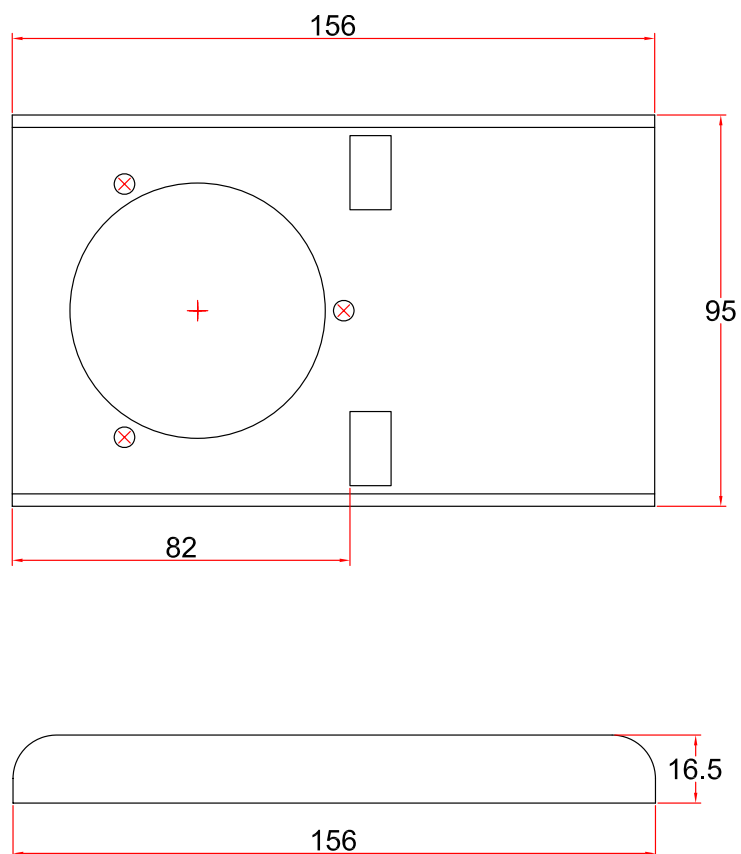


System 50 Flex - Aluminium (Flex AL)

- Table bracket to mount extraction arms for table mounting at the edge of the table
- Easily removable without tools for mobile installations
- Made of steel with a polyester powder-coating on all surfaces
- Colours available: white (-) and black (-050)



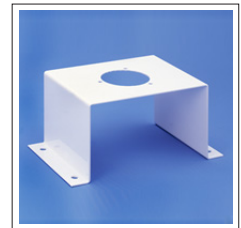
Drawing



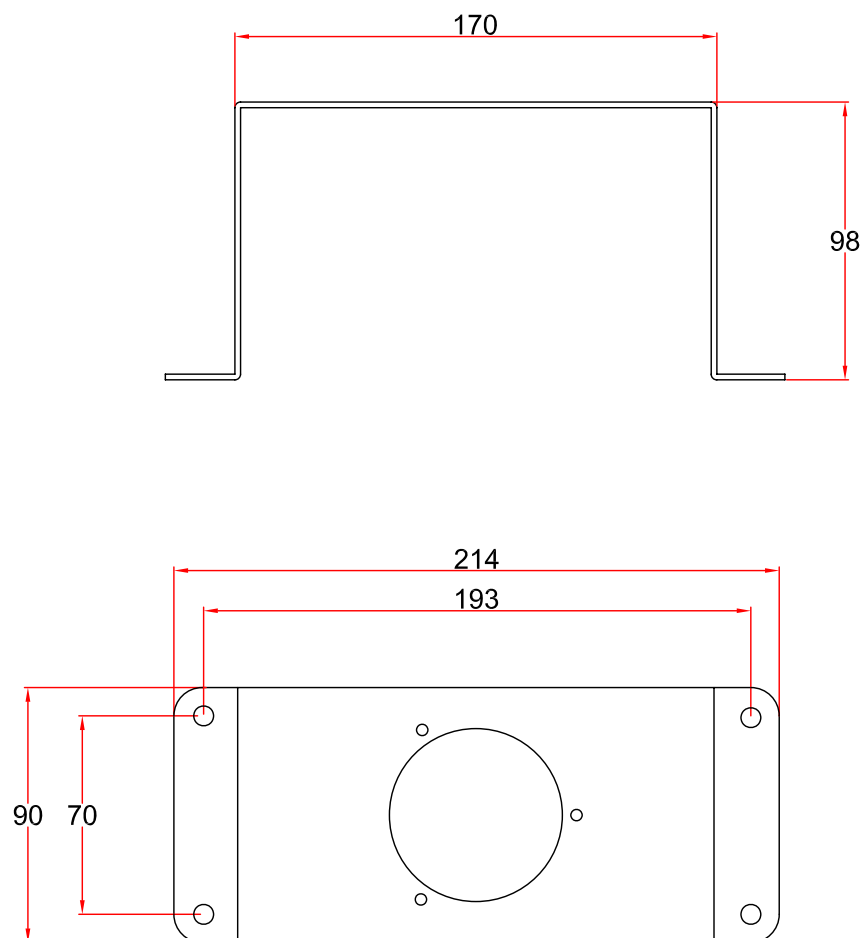


System 50 Flex - Aluminium (Flex AL)

- Bracket/U-profile to support the socket pipe of long extraction arms for table mounting
- Made of steel with a polyester powder-coating on all surfaces
- Colour available: white



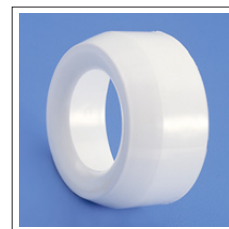
Drawing



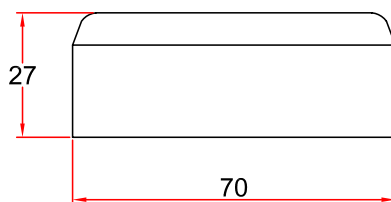


System 50 Flex - Aluminium (Flex AL)

- Reducer to connect extraction arm and ventilating duct
- Reduces from Ø63 - Ø50
- Made of polypropylene (PP)
- Colour: white (-) or black (-6)



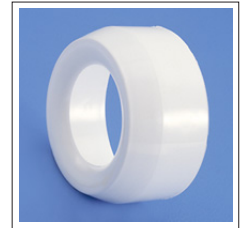
Drawing





System 50 Flex - Aluminium (Flex AL)

- Reducer to connect extraction arm and ventilating duct
- Reduces from Ø80 - Ø50
- Made of polypropylene (PP)
- Colour: white (-) or black (-6)



Drawing

