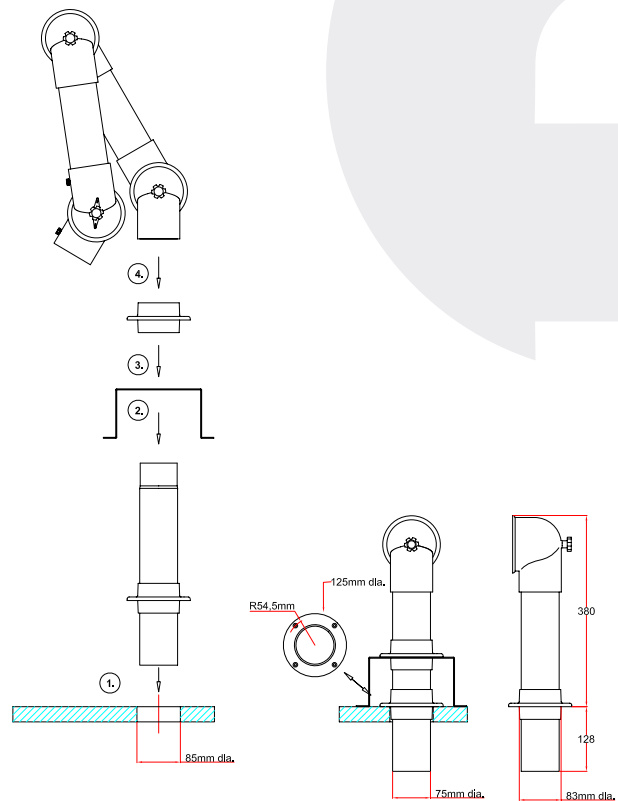


System 50 - 75 - 100

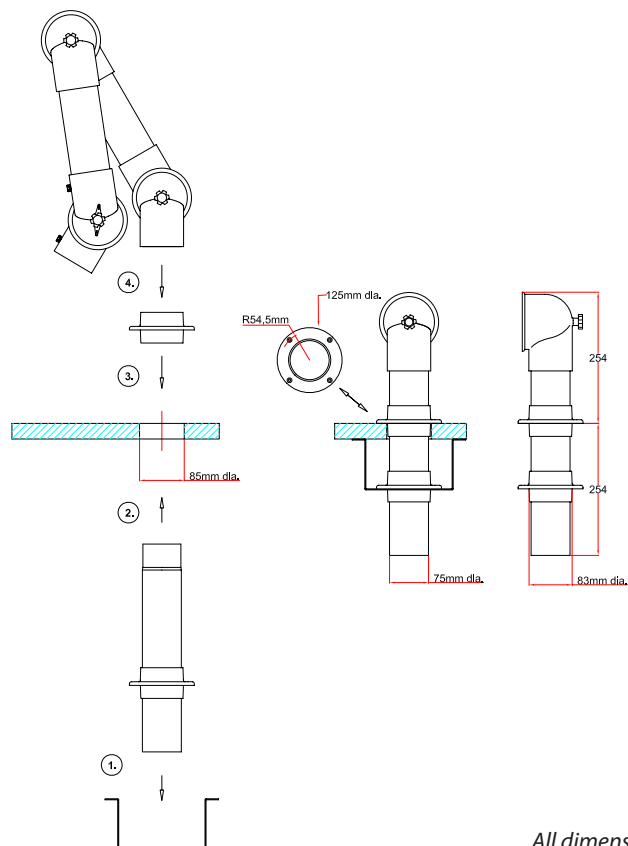
Mounted **above** table

1. Make a hole in the table with a max. diameter of 85 mm.
Mount the socket pipe on the table with the included screws.
2. Place the U-profile on the socket pipe and fasten it to the table.
3. Place the extra flange on the socket pipe and fasten it to the U-profile with the included screws.
4. Place the extraction arm on the socket pipe. Make sure the internal spring goes into the socket pipe.
5. Follow the mounting instructions for the extraction arm.



Mounted **below** table

1. Make a hole in the table with a max. diameter of 85 mm.
Mount the socket pipe on the U-profile with the included screws.
2. Place the U-profile with the socket pipe on the table and fasten it.
3. Place the extra flange on the socket pipe and fasten it to the table with the included screws.
4. Place the extraction arm on the socket pipe. Make sure the internal spring goes into the socket pipe.
5. Follow the mounting instructions for the extraction arm.



All dimensions in mm