

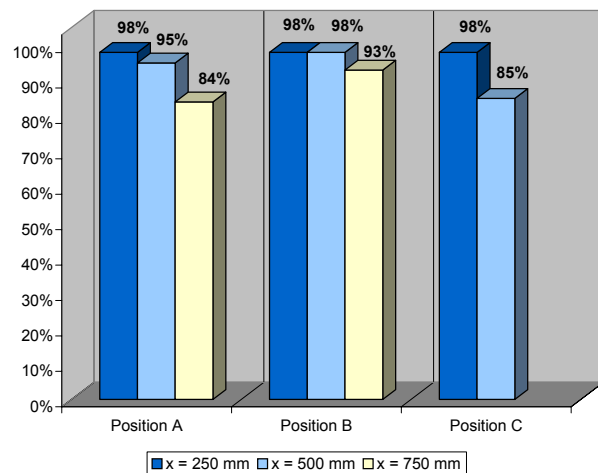
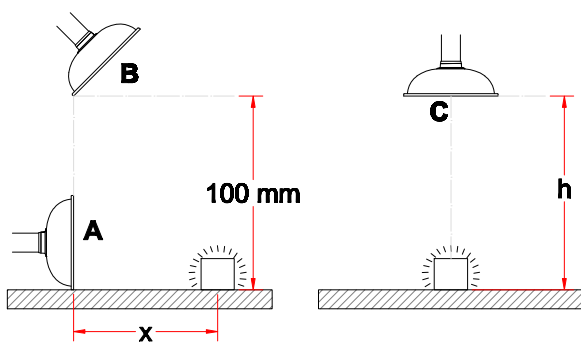


## System 100 - Aluminium (AL)

- Round hood recommended for light fumes, gases and over open vessels
- Diameter of hood:  $\varnothing 500$  mm
- Increased stability when moving the hood due to reinforced rim of the hood
- Increased efficiency at an angled position
- Hood made of transparent PETG, resistant to solvents
- Connection tube made of anodized aluminium - surface  $10 \mu$
- The transparent hood assists in keeping a good view of the work place



## Capture efficiency



## Drawing

