

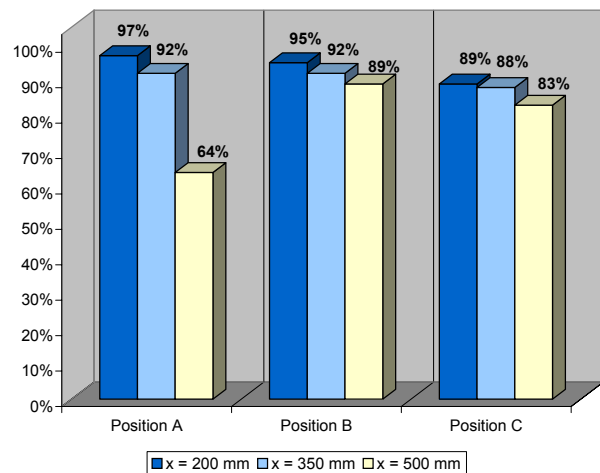
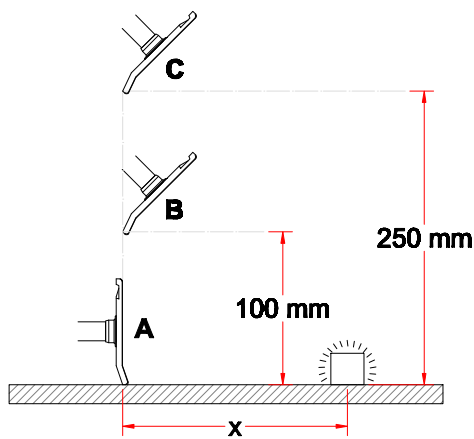


System 100 - Chemical resistant (PP)

- Flat hood recommended when extracting heavy gases and fumes
- Dimensions of the hood: 420x280 mm
- InPPeased efficiency when placed vertically on a surface
- Hood, flange and connection tube made of chemical resistant polypropylene (PP)



Capture efficiency



Drawing

