

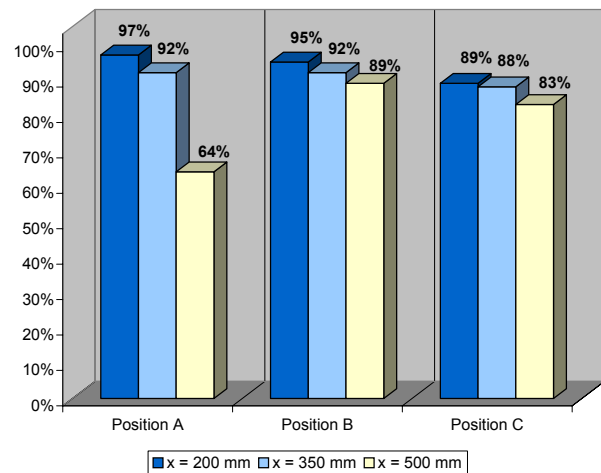
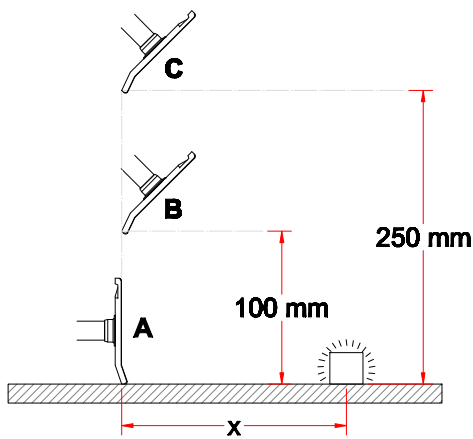


System 100 - Antistatic (AS)

- Flat hood recommended when extracting heavy gases and fumes
- Dimension of the hood: 420x280 mm
- Increased capture efficiency when placed vertically on a surface
- Hood, connection tube and flange made of conductive, chemical resistant polypropylene (PP)



Capture efficiency



Drawing

