

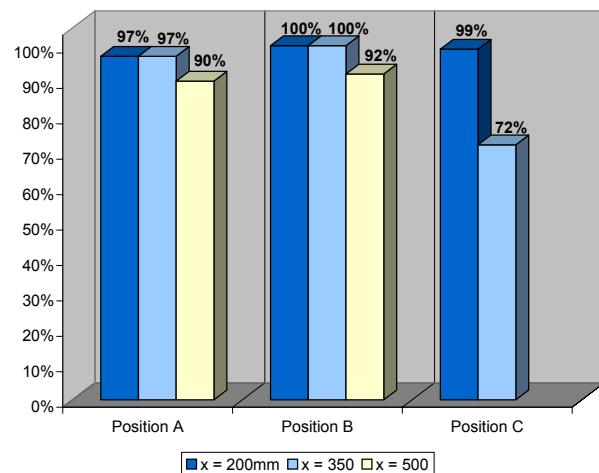
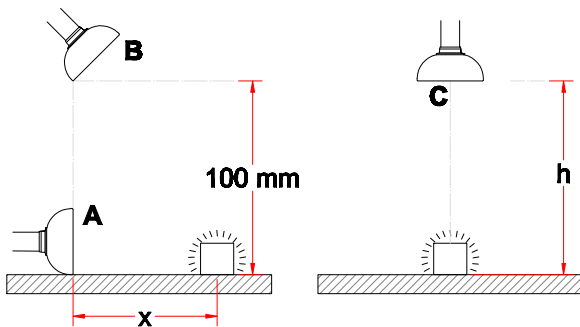


System 100 - Aluminium (AL)

- Round hood recommended when extracting hot gases, fumes and light dust concentrations
- Diameter of hood: $\varnothing 350$ mm
- Increased efficiency at an angled position
- Hood made of aluminium with a polyester powder coating
- Connection tube made of anodized aluminium - surface 10μ
- Flange made of polypropylene (PP)
- Colour of hood: alu (-) or white (-5)



Capture efficiency



Drawing

