

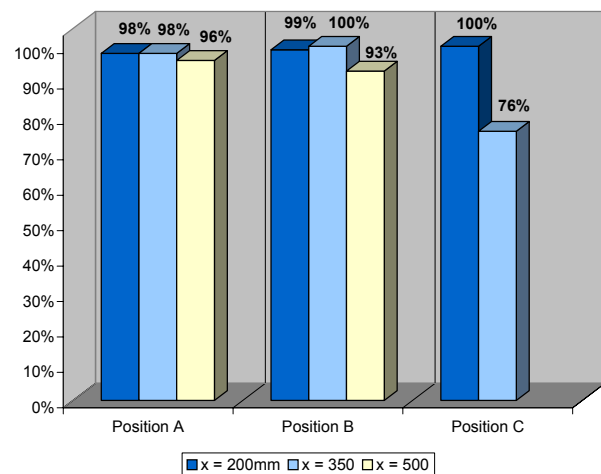
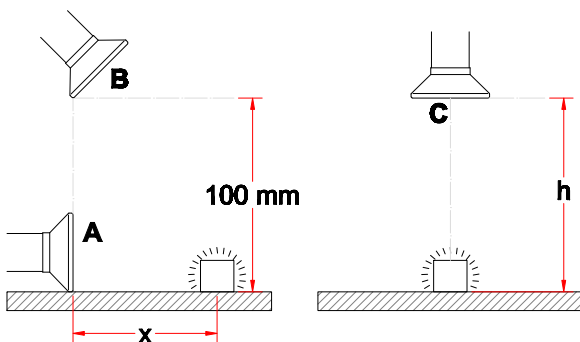


System 100 - Chemical resistant (PP)

- Metal hood recommended when extracting hot gases, fumes, light dust concentrations etc.
- Diameter of the hood: $\varnothing 200$ mm
- Hood made of polyester powder-coated aluminium
- Connection tube made of chemical resistant polypropylene (PP)



Capture efficiency



Drawing

