

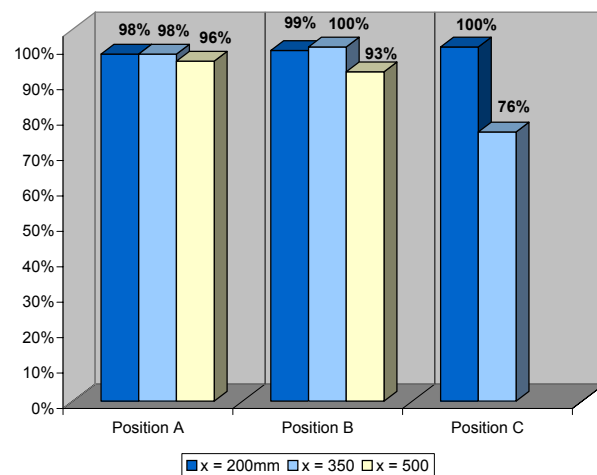
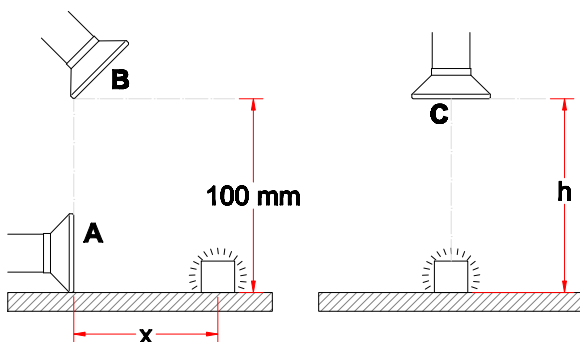


System 100 - Aluminium (AL)

- Metal hood recommended when extracting hot gases, fumes and light dust concentrations
- Diameter of hood: $\varnothing 200$ mm
- Hood made of aluminium with a polyester powder-coating
- Connection tube made of anodized aluminium - surface 10μ



Capture efficiency



Drawing

