

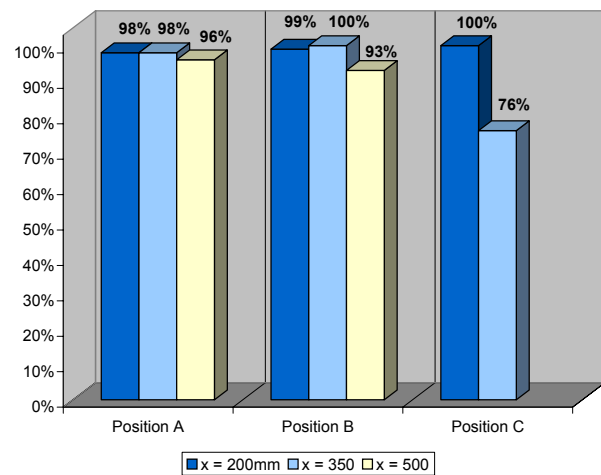
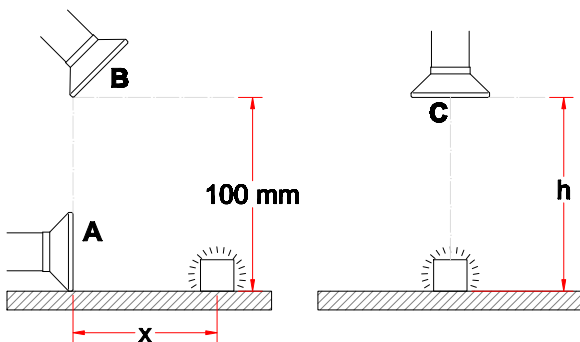


## System 100 - Aluminium (AL)

- Metal hood recommended when extracting hot gases, fumes, light dust concentrations etc.
- Suitable for autoclaving
- Diameter of hood:  $\varnothing 200$  mm
- Hood, connection tube and flange made of anodized aluminium - surface  $10 \mu$



## Capture efficiency



## Drawing

