

MOUNTING – WALL BRACKET



Wall Bracket 2-195

Connection between wall bracket and ducting

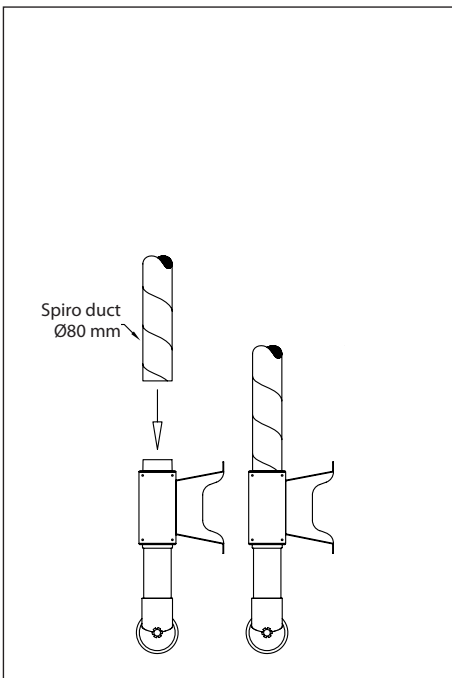
Easy and flexible connection offering three different solutions.

For all wall mounted extraction arms
System 50, System 63 and System 75.

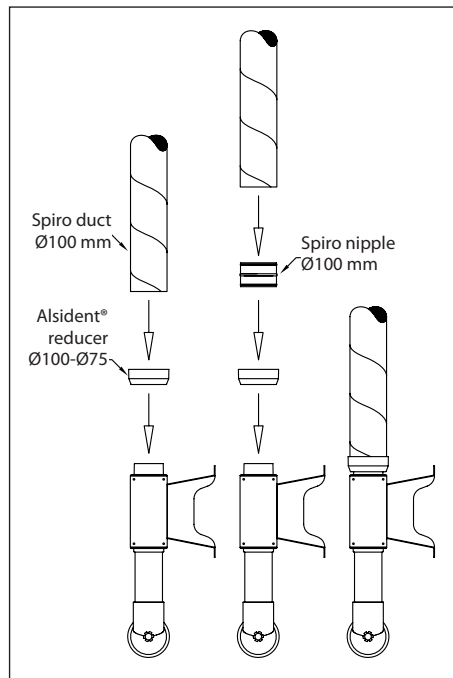
Three options:

- Direct connection with a spiro ducting Ø80 mm.
- Connection with an Alsident® reducer 4-10075 to spiro ducting Ø100 mm.
- Connection with our aluminium tube Ø75 mm in the length required in order to achieve an installation in pure style, e.g. a visible wall mounting.

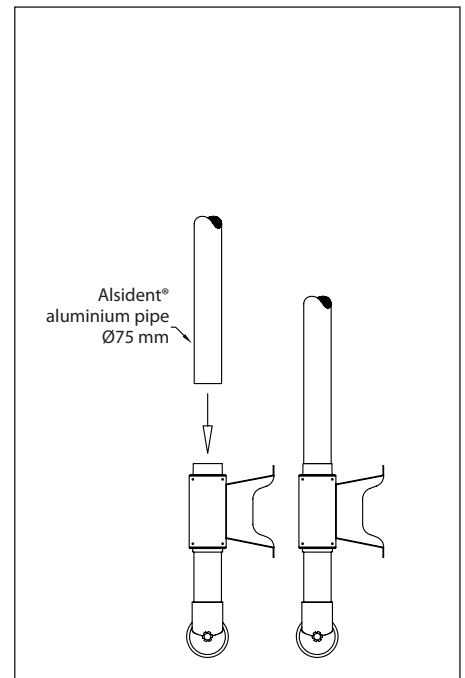
3 OPTIONS OF MOUNTING



Direct connection with a spiro ducting Ø80 mm.



Connection with Alsident® reducer 4-10075 to spiro ducting Ø100 mm.



Connection with aluminium tube Ø75 mm.

