



System 75 Telescopic - Aluminium - Wall mounted

Extraction arms

Wall mounting 900-1300-2	75 TE 2
Wall mounting 900-1900-2	75 TE 3
Ceiling mounting 900-1300-3	75 TE 4
Ceiling mounting 900-1900-3	75 TE 5

Hoods

Suction pen 1-7525	75 TE 6
Suction pen 1-7526-5	75 TE 7
Suction nozzle 1-7525-5	75 TE 8
Metal hood 1-7524	75 TE 9
Metal hood 1-7524-5	75 TE 10
Square hood 1-754232-5	75 TE 11
Round hood 1-7528-5	75 TE 12
Round hood 1-7535-5	75 TE 13
Flat hood 1-753324-5	75 TE 14

Brackets

Wall bracket 2-10035	75 TE 15
Ceiling columns	75 TE 16

Other accessories

Reducer 4-100125	75 TE 17
Cover flange 4-250-250	75 TE 18
Support bracket 2-100-5	75 TE 19
Protective netting 5-17	75 TE 20



Description

All components RoHS-compatible according to directive 2002/95/EC (RoHS).

Design:

- Extraction arm for mounting on wall
- Working range 950-1300 mm
- Recommended airflow 80 to 180 m³/h
- Diameter of tube Ø75/Ø100 mm
- Tubes made of anodized Aluminium - surface 10 µ
- Joints made of shatterproof, chemical resistant polypropylene (PP)
- Colour of joints: white
- All O-rings maintenance free
- Integrated valve. When in an open position out of the flow path to maintain the maximum amount of flow
- All threaded stays, springs and thumbscrews made of acid-proof stainless steel (AISI 316L)
- Acid-proof POP® rivets for increased durability in aggressive environments
- All hoods can be provided with a protective netting (accessory) to reduce the risk of extracting foreign objects
- Dismantling of the arm without tools for cleaning

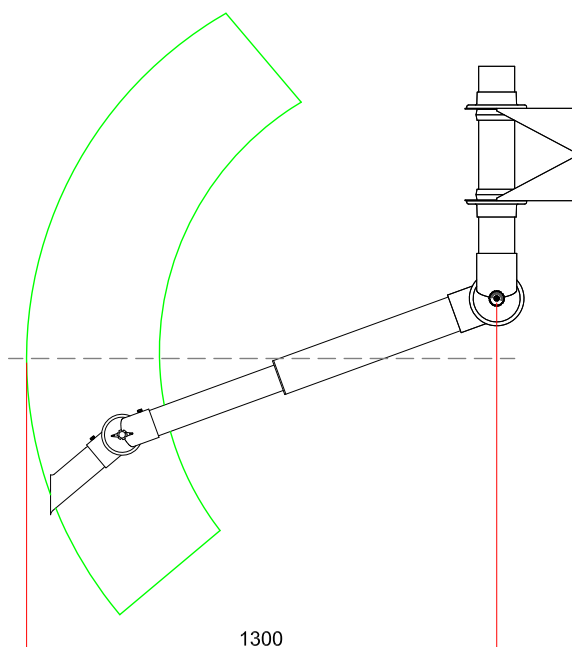
Links: [Pressure drop chart](#), [Mounting](#), [User's manual](#), [Capture efficiency](#)



Working area

We do not recommend a stationary working position in the upper or lower working area.

All units in mm





Description

All components RoHS-compatible according to directive 2002/95/EC (RoHS).

Design:

- Extraction arm for mounting on wall
- Working range 1300-1900 mm
- Recommended airflow 80 to 180 m³/h
- Diameter of tube Ø75/Ø100 mm
- Tubes made of anodized Aluminium - surface 10 µ
- Joints made of shatterproof, chemical resistant polypropylene (PP)
- Colour of joints: white
- All O-rings maintenance free
- Integrated valve. When in an open position out of the flow path to maintain the maximum amount of flow
- All threaded stays, springs and thumbscrews made of acid-proof stainless steel (AISI 316L)
- Acid-proof POP[®] rivets for increased durability in aggressive environments
- All hoods can be provided with a protective netting (accessory) to reduce the risk of extracting foreign objects
- Dismantling of the arm without tools for cleaning

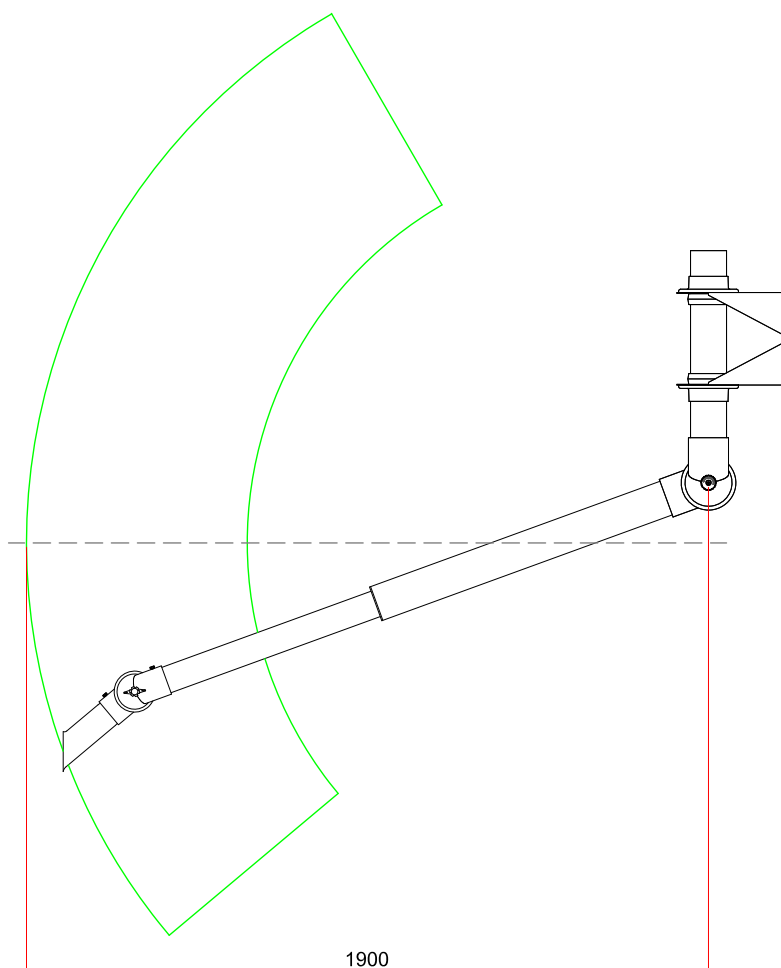


Links: [Pressure drop chart](#), [Mounting](#), [User's manual](#), [Capture efficiency](#)

Working area

We do not recommend a stationary working position in the upper or lower working area.

All units in mm





Description

All components RoHS-compatible according to directive 2002/95/EC (RoHS).

Design:

- Extraction arm for mounting on ceiling
- Working range 950-1300 mm
- Recommended airflow 80 to 180 m³/h
- Diameter of tube Ø75/Ø100 mm
- Tubes made of anodized Aluminium - surface 10 µ
- Joints made of shatterproof, chemical resistant polypropylene (PP)
- Colour of joints: white
- All O-rings maintenance free
- Integrated valve. When in an open position out of the flow path to maintain the maximum amount of flow
- All threaded stays, springs and thumbscrews made of acid-proof stainless steel (AISI 316)
- Acid-proof POP[®] rivets for increased durability in aggressive environments
- All hoods can be provided with a protective netting (accessory) to reduce the risk of extracting foreign objects
- Dismantling of the arm without tools for cleaning

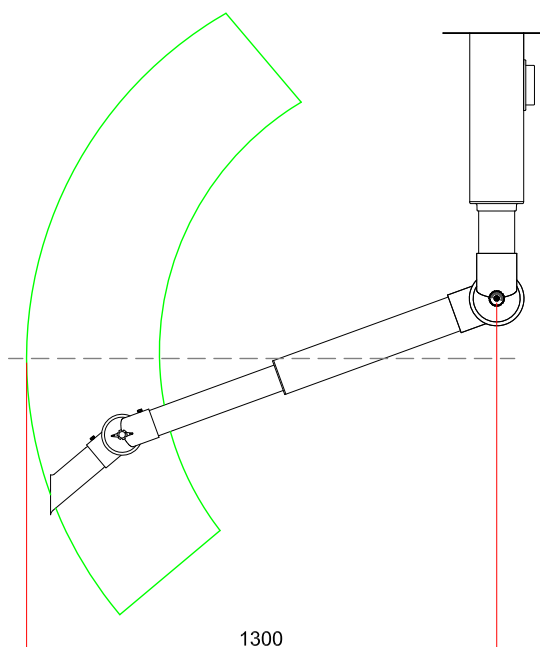


Links: [Pressure drop chart](#), [Mounting](#), [User's manual](#), [Capture efficiency](#)

Working area

We do not recommend a stationary working position in the upper or lower working area.

All units in mm





Description

All components RoHS-compatible according to directive 2002/95/EC (RoHS).

Design:

- Extraction arm for mounting on ceiling
- Working range 1300-1900 mm
- Recommended airflow 80 to 180 m³/h
- Diameter of tube Ø75/Ø100 mm
- Tubes made of anodized Aluminium - surface 10 µ
- Joints made of shatterproof, chemical resistant polypropylene (PP)
- Colour of joints: white
- All O-rings maintenance free
- Integrated valve. When in an open position out of the flow path to maintain the maximum amount of flow
- All threaded stays, springs and thumbscrews made of acid-proof stainless steel (AISI 316)
- Acid-proof POP[®] rivets for increased durability in aggressive environments
- All hoods can be provided with a protective netting (accessory) to reduce the risk of extracting foreign objects
- Dismantling of the arm without tools for cleaning

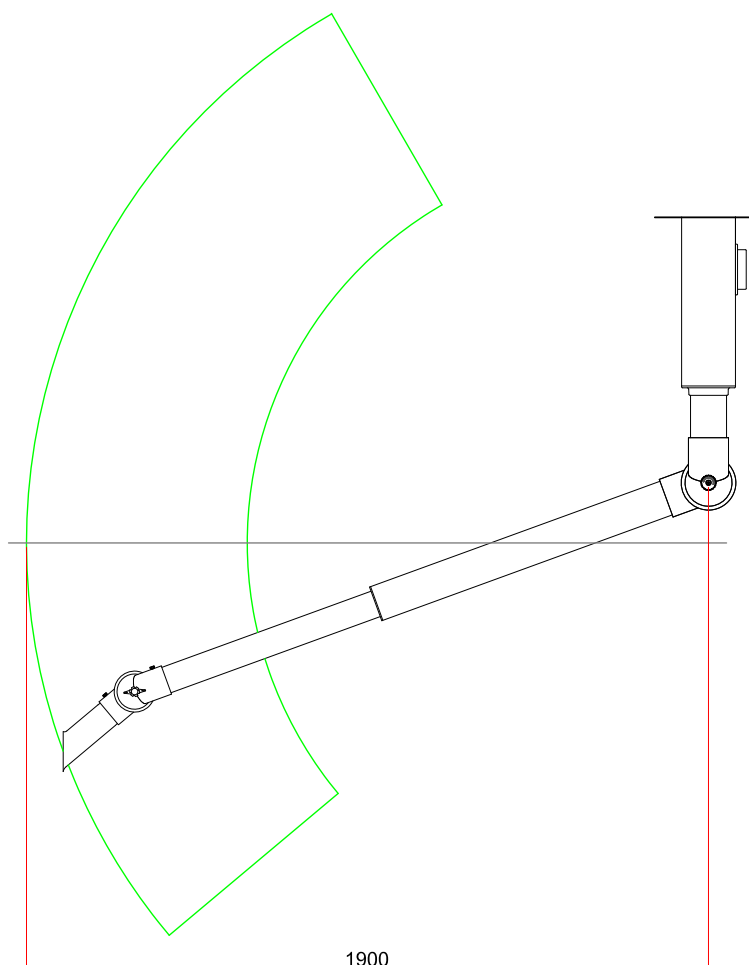


Links: [Pressure drop chart](#), [Mounting](#), [User's manual](#), [Capture efficiency](#)

Working area

We do not recommend a stationary working position in the upper or lower working area.

All units in mm



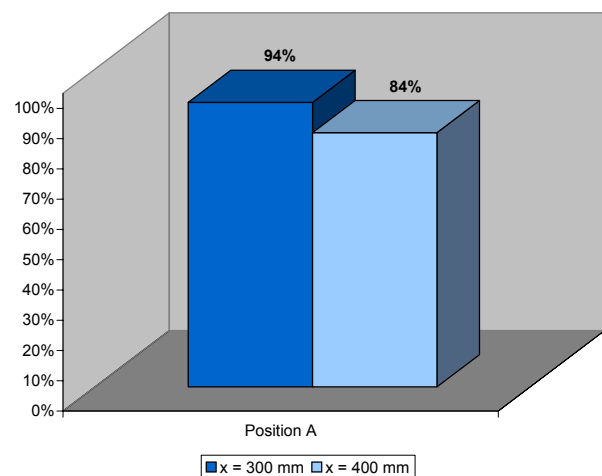
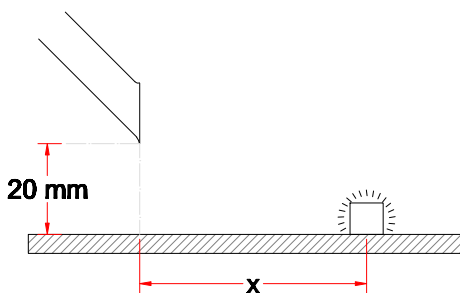


Description

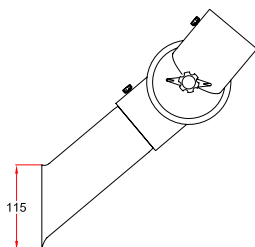
- Suction pen recommended for small concentrated sources of pollution
- High efficiency as the suction pen gets close to the source without obstructing the work process
- Tube made of anodized aluminium - surface 10 μ
- Funnel of the suction pen in order to increase the capture efficiency
- Length: 250 mm



Capture efficiency



Drawing



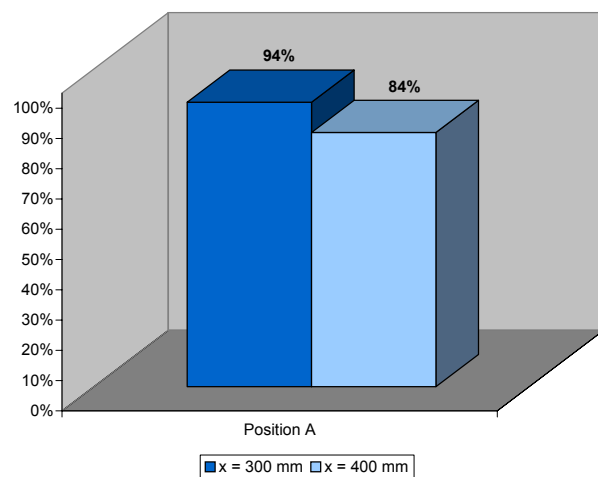
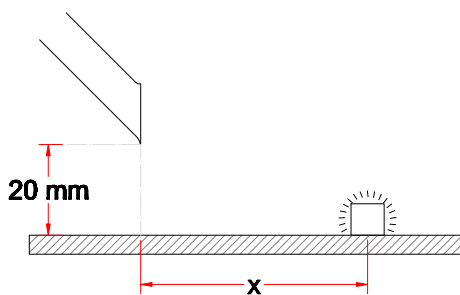


Description

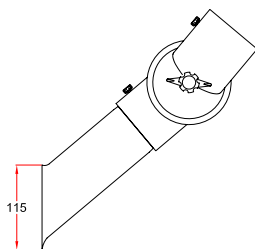
- Suction pen recommended for small concentrated sources of pollution
- High efficiency as the suction pen gets close to the source without obstructing the work process
- Tube made of anodized aluminium - surface 10 μ
- Tip made of shatter proof, chemical resistant polypropylene (PP)
- Tip colour: white
- Funnel of the suction pen in order to increase the capture efficiency
- Length: 250 mm



Capture efficiency



Drawing





Description

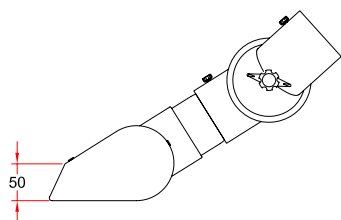
- Suction nozzle recommended for small concentrated sources of pollution
- Width: 250 mm
- Tube and nozzle made of anodized aluminium - surface 10 μ - and shatter proof chemical resistant polypropylene (PP)
- Internal distribution tube in order to increase the efficiency
- Colour: white



Capture efficiency

Measurements for this product are comparable with article no. [1-5020](#)

Drawing





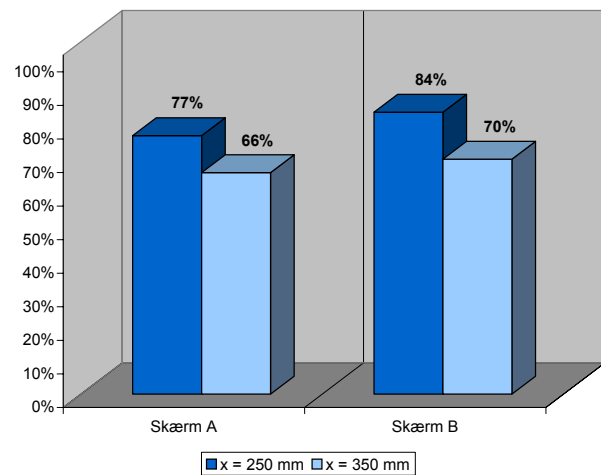
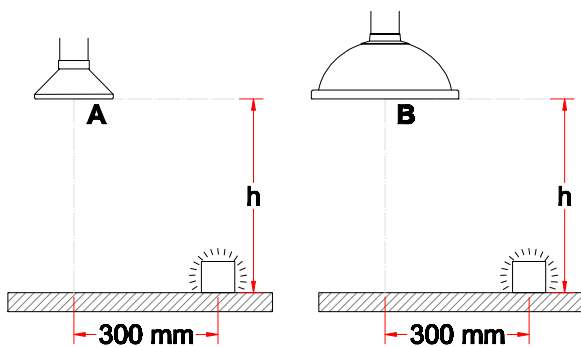
Description

- Metal hood recommended when extracting hot gases, fumes, light dust concentrations etc.
- Suitable for autoclaving
- Diameter of hood: $\varnothing 200$ mm
- Hood, connection tube and flange made of anodized aluminium - surface 10μ

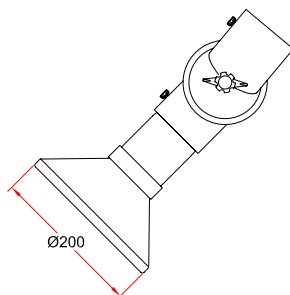


Capture efficiency

The relatively low efficiency indicates, that the illustrated position is not optimal for this hood. For system 100 other measurements have been made for a similar round hood - see article no. [1-10024](#).



Drawing





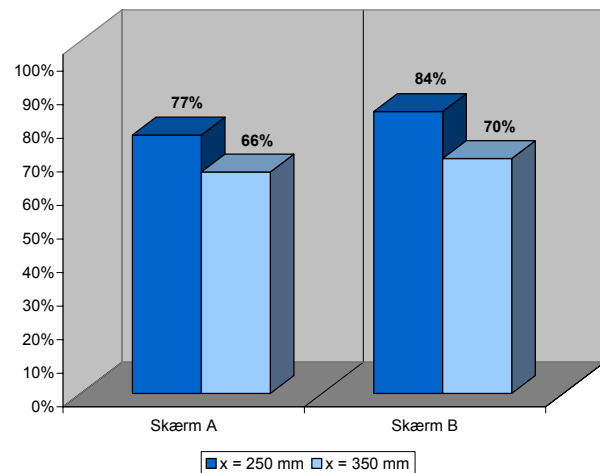
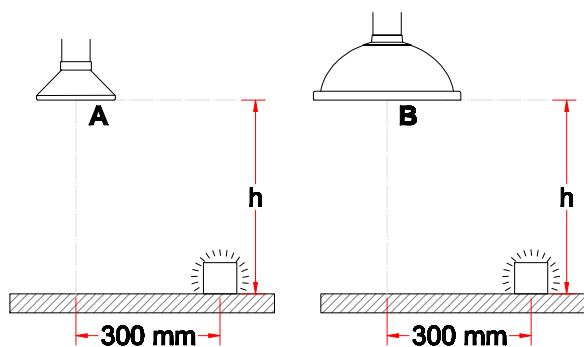
Description

- Round hood recommended when extracting hot gases, fumes, light dust concentrations etc.
- Diameter of hood: $\varnothing 200$ mm
- Hood made of aluminium with a polyester powder-coating
- Connection tube made of anodized aluminium - surface 10μ
- Colour of hood and flange: white

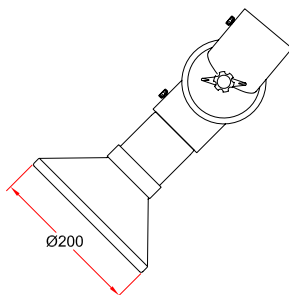


Capture efficiency

The relatively low efficiency indicates, that the illustrated position is not optimal for this hood. For system 100 other measurements have been made for a similar round hood - see article no. [1-10024](#).



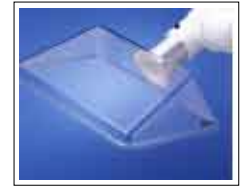
Drawing



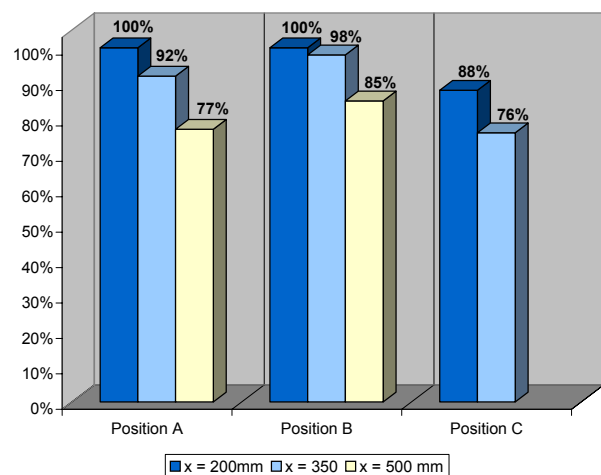
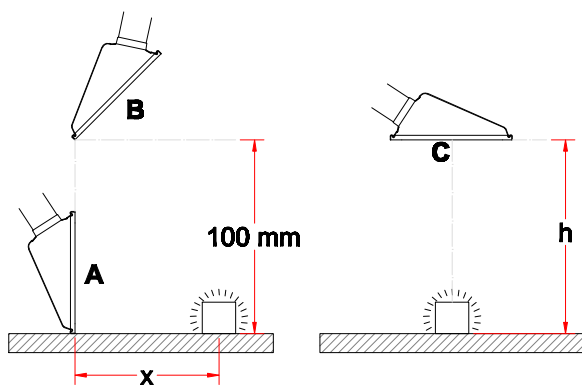


Description

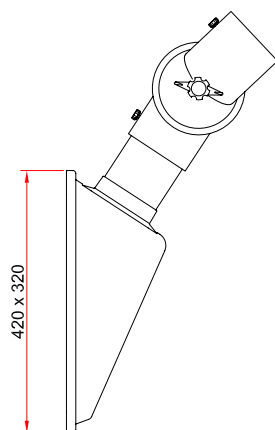
- Square hood recommended for light and heavy fumes and gases
- Dimension of hood: 420x320 mm
- Increased stability when moving the hood due to reinforced rim of the hood
- Increased efficiency when placed vertically on a surface
- Hood made of transparent PETG, resistant to solvents
- Connection tube made of anodized aluminium - surface 10 μ
- The transparent hood assists in keeping a good view of the work process
- Colours of flange: white



Capture efficiency



Drawing





Description

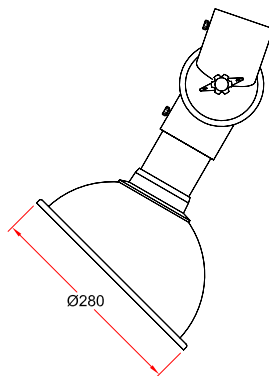
- Round hood recommended for light fumes, gases and over small open vessels
- Diameter of hood: Ø280 mm
- Increased stability when moving the hood due to reinforced rim of the hood
- Increased efficiency at an angled position
- Hood made of transparent PETG, resistant to solvents
- Connection tube made of anodized aluminium - surface 10 µ
- The transparent hood assists in keeping a good view of the work place
- Colour of flange: white



Capture efficiency

Measurements of this product are comparable with article no. [1-6328](#).

Drawing





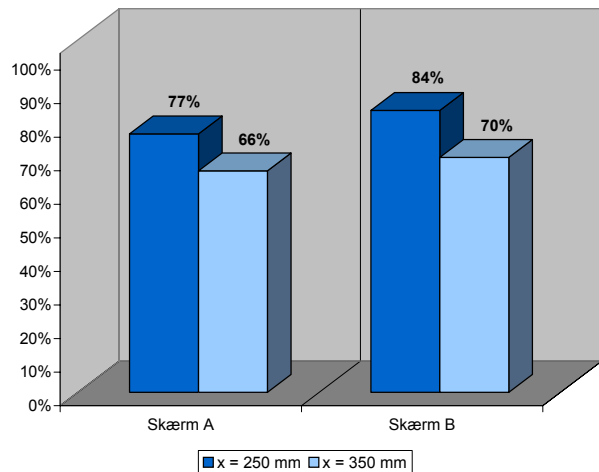
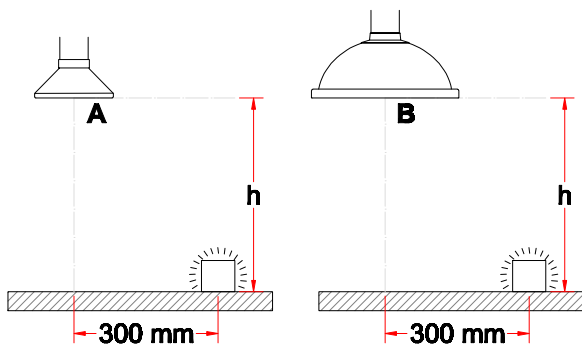
Description

- Round hood recommended for light fumes, gases and over small open vessels
- Diameter of hood: Ø385 mm
- Increased stability when moving the hood due to reinforced rim of the hood
- Increased efficiency at an angled position
- Hood made of transparent PETG, resistant to solvents
- Connection tube made of anodized aluminium - surface 10 µ
- The transparent hood assists in keeping a good view of the work place
- Colour of flange: white

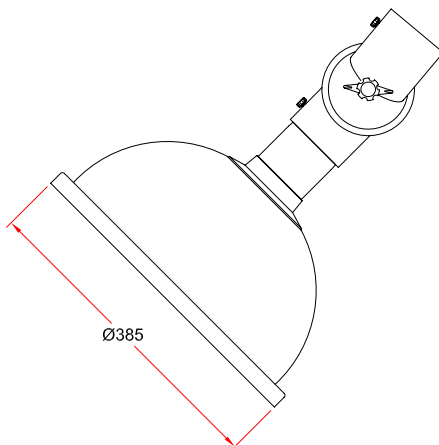


Capture efficiency

The relatively low efficiency indicates, that the illustrated position is not optimal for this hood. For system 100 other measurements have been made for a similar round hood - see article no. [1-10050](#).



Drawing



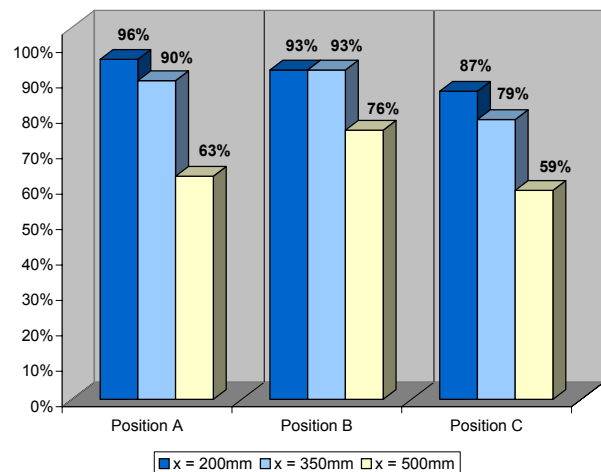
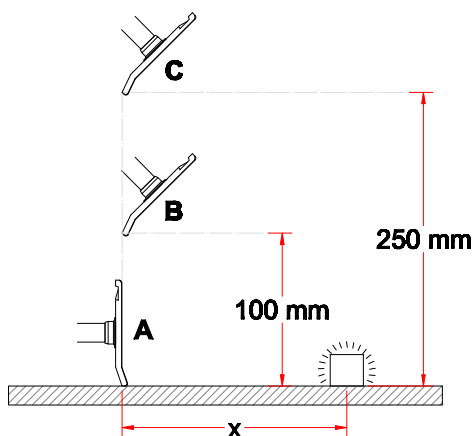


Description

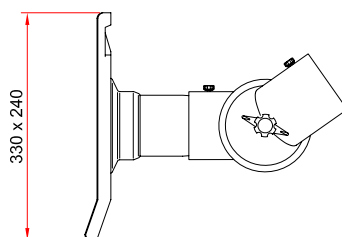
- Flat hood recommended for heavy gases and fumes
- Dimension of the hood: 330x240 mm
- Increased efficiency when placed vertically on a surface
- Hood made of transparent PETG, resistant to solvents
- Connection tube made of anodized aluminium - surface 10 μ
- The transparent hood assists in keeping a good view of the work place
- Colour of flange: white



Capture efficiency



Drawing



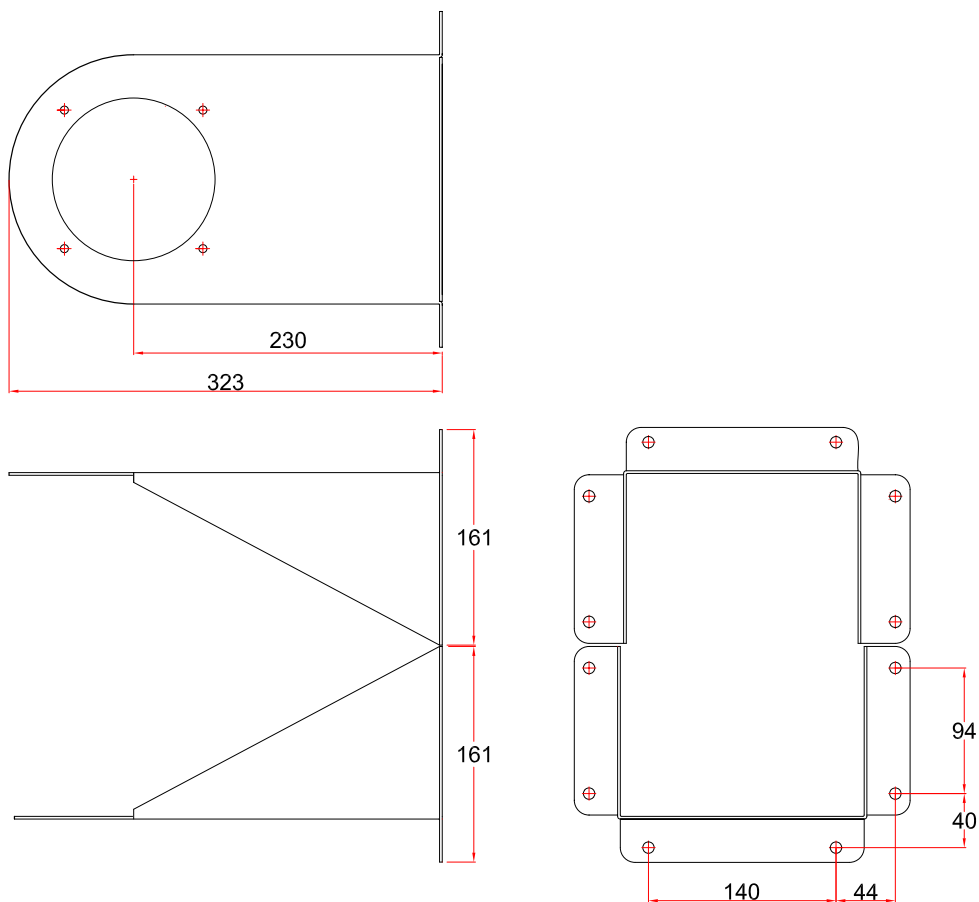


Description

- Bracket to mount extraction arms for wall or table mounting to the wall
- Made of steel with a polyester powder-coating on all surfaces
- Colour: white



Drawing



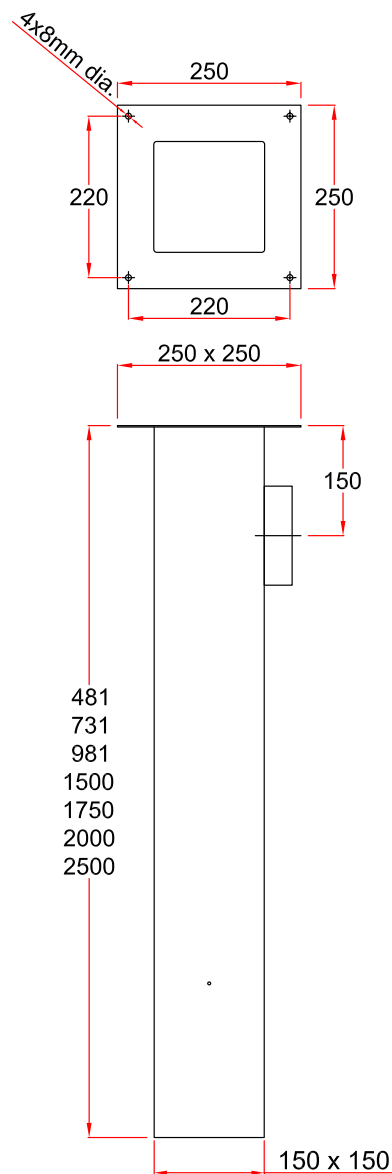


Description

- Ceiling column to mount extraction arms for ceiling mounting to the ceiling
- Strong construction made of steel
- Increased durability due to polyester powder-coating on all surfaces
- Side connection: $\varnothing 125\text{mm}$
- Available with top connection on request
- Colour: white
- Dimension: $150 \times 150\text{ mm}$
- Length: 500 - 2500 mm



Drawing



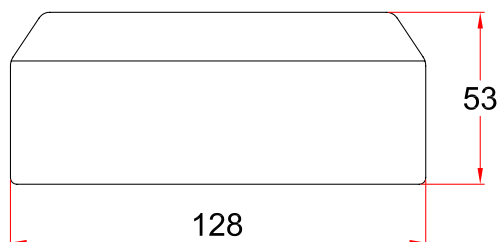


Description

- Reducer to connect extraction arm and ventilating duct
- Reduces from Ø125 - Ø100
- Made of polypropylene (PP)
- Colour: White



Drawing





Description

- Cover flange to mount on false ceiling. Hides the carrying of the ceiling column through the false ceiling
- Dimensions: 250 x 250 mm
- Material: polystyrene
- Fasten with glue or small screws
- Colour: white



Drawing

For this product there is no drawing

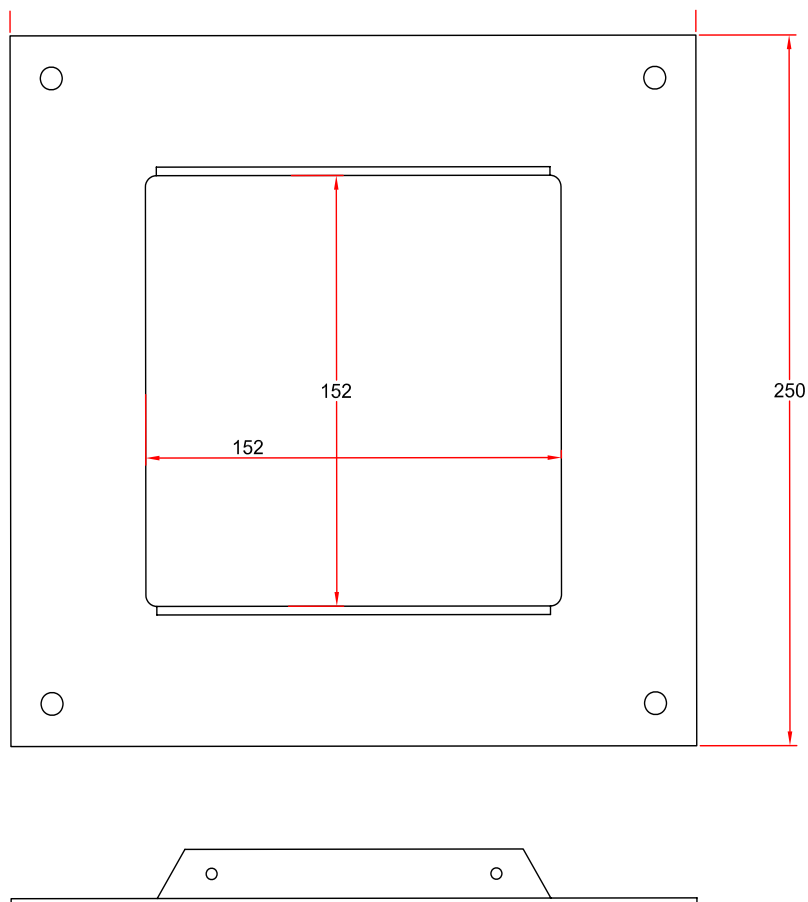


Description

- For extra support of ceiling columns longer than 2 m when mounted to ceiling racks or with wires to the deck
- Made of steel with a polyester powder-coating on all surfaces
- Colour: white
- Dimensions: 250 x 250 mm



Drawing





Description

- Protective netting to be placed in the hood
- Protects against extraction of foreign objects
- Polypropylene (PP)
- Colour available: white



Drawing

